

**AlexAllen
Studio**

AlexAllen Studio LLC
302 3rd Avenue
Brooklyn, NY 11215

+1 (917) 909-0405

www.alexallenstudio.com

Chord Pendant (30")



Fixture in Mottled Brass



Canopy in Brushed Brass

PRODUCT INFORMATION

Year of Design:

2017

Country of Manufacture:

Brooklyn, NY, USA

Materials:

Steel Tube, Aluminum, and Acrylic

Certifications:

Dry / Damp Location
UL Listed (US and Canada)
CE Listed (EU)

Warranty:

5 years

Fixture Weight:

8 lbs / 3.6kg

Shipping Size and Weight:

55"L x 9"W x 29" H
386 cm x 23 cm x 74 cm
20lbs / 9.1 kg

SPECIFICATIONS

LED:

Flexible LED Module (>60,000 Hour Lifespan)
Universal Voltage 120V-277V, 50Hz/60Hz

Dimming Options:

TRIAC/ELV or 0-10V*
*See compatible dimmer guide

Standard Brightness:

2526 Lumens (3000K), 94 CRI, 24W
(IES files available upon request)

LED Temperatures (K):

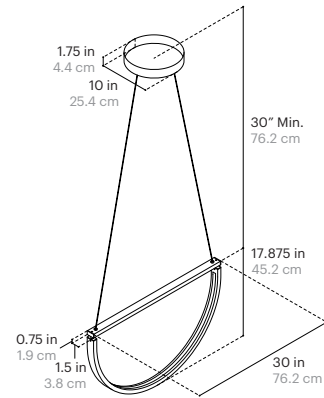
2200, 2500, 2700, 3000, 3500, 4000, 5000

Cord Length:

120" / 304.8 cm, Field Adjustable

Minimum Drop Length:

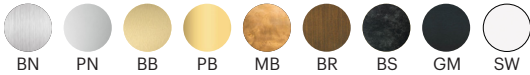
30" / 76.2 cm



FINISH OPTIONS

Metal and Canopy Finishes:

Brushed Nickel, Polished Nickel, Brushed Brass, Polished Brass, Mottled Brass, Bronze, Blackened Steel, Gunmetal, Satin White



SPECIFICATION CODE

Fixture	Size	LED Temp	Brightness	Dimming
CRD	30		SB	UNV
		22 - 2200K		
		25 - 2500K		
		27 - 2700K		
		30 - 3000K		
		35 - 3500K		
		40 - 4000K		
		50 - 5000K		

FINISH CODE

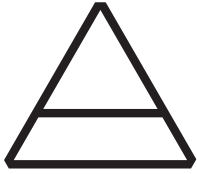
Metal Finish		Canopy Finish	
BN - Brushed Nickel	BR - Bronze	SN - Brushed Nickel	BR - Bronze
PN - Polished Nickel	BS - Blackened Steel	PN - Polished Nickel	BS - Blackened Steel
BB - Brushed Brass	GM - Gunmetal	BB - Brushed Brass	GM - Gunmetal
PB - Polished Brass		PB - Polished Brass	SW - Satin White
MB - Mottled Brass		MB - Mottled Brass	



All products and specifications are subject to change without notice. For custom requests email: info@alexallenstudio.com

Version: January 22, 2024





**AlexAllen
Studio**

AlexAllen Studio LLC
302 3rd Avenue
Brooklyn, NY 11215

+1 (917) 909-0405

www.alexallenstudio.com

Chord Pendant (36")



Fixture in Mottled Brass



Canopy in Brushed Brass

PRODUCT INFORMATION

Year of Design:

2017

Country of Manufacture:

Brooklyn, NY, USA

Materials:

Steel Tube, Aluminum, and Acrylic

Certifications:

Dry / Damp Location
UL Listed (US and Canada)
CE Listed (EU)

Warranty:

5 years

Fixture Weight:

9 lbs / 4.1kg

Shipping Size and Weight:

55"L x 9"W x 29" H
386 cm x 23 cm x 74 cm
25lbs / 11.3 kg

SPECIFICATIONS

LED:

Flexible LED Module (>60,000 Hour Lifespan)
Universal Voltage 120V-277V, 50Hz/60Hz

Dimming Options:

TRIAC/ELV or 0-10V*
*See compatible dimmer guide

Standard Brightness:

3032 Lumens (3000K), 94 CRI, 28W
(IES files available upon request)

LED Temperatures (K):

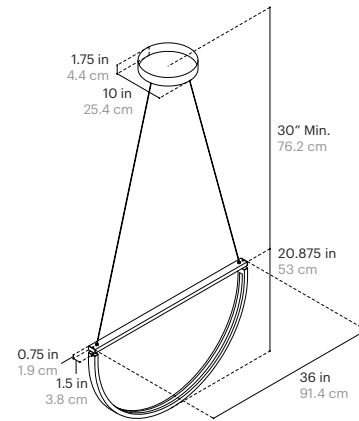
2200, 2500, 2700, 3000, 3500, 4000, 5000

Cord Length:

120" / 304.8 cm, Field Adjustable

Minimum Drop Length:

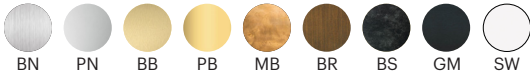
30" / 76.2 cm



FINISH OPTIONS

Metal and Canopy Finishes:

Brushed Nickel, Polished Nickel, Brushed Brass, Polished Brass, Mottled Brass, Bronze, Blackened Steel, Gunmetal, Satin White



SPECIFICATION CODE

Fixture	Size	LED Temp	Brightness	Dimming
CRD	36		SB	UNV
		22 - 2200K		
		25 - 2500K		
		27 - 2700K		
		30 - 3000K		
		35 - 3500K		
		40 - 4000K		
		50 - 5000K		

FINISH CODE

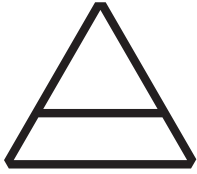
Metal Finish		Canopy Finish	
BN - Brushed Nickel	BR - Bronze	SN - Brushed Nickel	BR - Bronze
PN - Polished Nickel	BS - Blackened Steel	PN - Polished Nickel	BS - Blackened Steel
BB - Brushed Brass	GM - Gunmetal	BB - Brushed Brass	GM - Gunmetal
PB - Polished Brass		PB - Polished Brass	SW - Satin White
MB - Mottled Brass		MB - Mottled Brass	



All products and specifications are subject to change without notice. For custom requests email: info@alexallenstudio.com

Version: January 22, 2024





**AlexAllen
Studio**

AlexAllen Studio LLC
302 3rd Avenue
Brooklyn, NY 11215

+1 (917) 909-0405

www.alexallenstudio.com

Chord Pendant (40")



Fixture in Bronze



Canopy in Brushed Brass

PRODUCT INFORMATION

Year of Design:

2017

Country of Manufacture:

Brooklyn, NY, USA

Materials:

Steel Tube, Aluminum, and Acrylic

Certifications:

Dry / Damp Location
UL Listed (US and Canada)
CE Listed (EU)

Warranty:

5 years

Fixture Weight:

10 lbs / 4.5kg

Shipping Size and Weight:

55"L x 9"W x 29" H
386 cm x 23 cm x 74 cm
30lbs / 13.6 kg

SPECIFICATIONS

LED:

Flexible LED Module (>60,000 Hour Lifespan)
Universal Voltage 120V-277V, 50Hz/60Hz

Dimming Options:

TRIAC/ELV or 0-10V*
*See compatible dimmer guide

Standard Brightness:

3542 Lumens (3000K), 94 CRI, 32W
(IES files available upon request)

LED Temperatures (K):

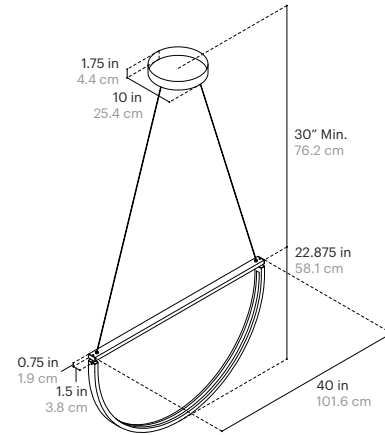
2200, 2500, 2700, 3000, 3500, 4000, 5000

Cord Length:

120" / 304.8 cm, Field Adjustable

Minimum Drop Length:

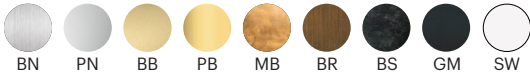
30" / 76.2 cm



FINISH OPTIONS

Metal and Canopy Finishes:

Brushed Nickel, Polished Nickel, Brushed Brass, Polished Brass, Mottled Brass, Bronze, Blackened Steel, Gunmetal, Satin White



SPECIFICATION CODE

Fixture	Size	LED Temp	Brightness	Dimming
CRD	40		SB	UNV
		22 - 2200K		
		25 - 2500K		
		27 - 2700K		
		30 - 3000K		
		35 - 3500K		
		40 - 4000K		
		50 - 5000K		

FINISH CODE

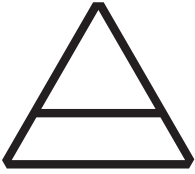
Metal Finish		Canopy Finish	
BN - Brushed Nickel	BR - Bronze	SN - Brushed Nickel	BR - Bronze
PN - Polished Nickel	BS - Blackened Steel	PN - Polished Nickel	BS - Blackened Steel
BB - Brushed Brass	GM - Gunmetal	BB - Brushed Brass	GM - Gunmetal
PB - Polished Brass		PB - Polished Brass	SW - Satin White
MB - Mottled Brass		MB - Mottled Brass	



All products and specifications are subject to change without notice. For custom requests email: info@alexallenstudio.com

Version: January 22, 2024





**AlexAllen
Studio**

AlexAllen Studio LLC
302 3rd Avenue
Brooklyn, NY 11215

+1 (917) 909-0405

www.alexallenstudio.com

Chord Pendant (48")



Fixture in Bronze



Canopy in Brushed Brass

PRODUCT INFORMATION

Year of Design:

2017

Country of Manufacture:

Brooklyn, NY, USA

Materials:

Steel Tube, Aluminum, and Acrylic

Certifications:

Dry / Damp Location
UL Listed (US and Canada)
CE Listed (EU)

Warranty:

5 years

Fixture Weight:

12 lbs / 5.5kg

Shipping Size and Weight:

57"L x 11"W x 33" H
145 cm x 28 cm x 84 cm
35lbs / 15.8 kg

SPECIFICATIONS

LED:

Flexible LED Module (>60,000 Hour Lifespan)
Universal Voltage 120V-277V, 50Hz/60Hz

Dimming Options:

TRIAC/ELV or 0-10V*
*See compatible dimmer guide

Standard Brightness:

4125 Lumens (3000K), 94 CRI, 40W
(IES files available upon request)

LED Temperatures (K):

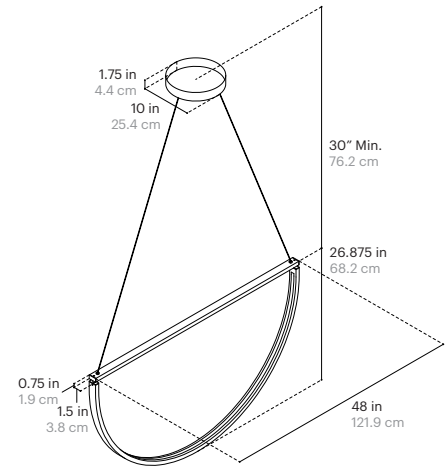
2200, 2500, 2700, 3000, 3500, 4000, 5000

Cord Length:

120" / 304.8 cm, Field Adjustable

Minimum Drop Length:

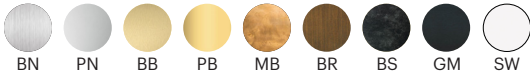
30" / 76.2 cm



FINISH OPTIONS

Metal and Canopy Finishes:

Brushed Nickel, Polished Nickel, Brushed Brass, Polished Brass, Mottled Brass, Bronze, Blackened Steel, Gunmetal, Satin White



SPECIFICATION CODE

Fixture	Size	LED Temp	Brightness	Dimming
CRD	48		SB	UNV
		22 - 2200K		
		25 - 2500K		
		27 - 2700K		
		30 - 3000K		
		35 - 3500K		
		40 - 4000K		
		50 - 5000K		

FINISH CODE

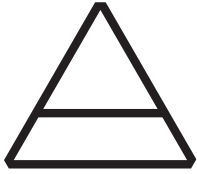
Metal Finish		Canopy Finish	
BN - Brushed Nickel	BR - Bronze	SN - Brushed Nickel	BR - Bronze
PN - Polished Nickel	BS - Blackened Steel	PN - Polished Nickel	BS - Blackened Steel
BB - Brushed Brass	GM - Gunmetal	BB - Brushed Brass	GM - Gunmetal
PB - Polished Brass		PB - Polished Brass	SW - Satin White
MB - Mottled Brass		MB - Mottled Brass	



All products and specifications are subject to change without notice. For custom requests email: info@alexallenstudio.com

Version: January 22, 2024





**AlexAllen
Studio**

AlexAllen Studio LLC
302 3rd Avenue
Brooklyn, NY 11215

+1 (917) 909-0405

www.alexallenstudio.com

Chord Pendant (52")



Fixture in Gunmetal



Canopy in Brushed Brass

PRODUCT INFORMATION

Year of Design:

2017

Country of Manufacture:

Brooklyn, NY, USA

Materials:

Steel Tube, Aluminum, and Acrylic

Certifications:

Dry / Damp Location
UL Listed (US and Canada)
CE Listed (EU)

Warranty:

5 years

Fixture Weight:

15 lbs / 6.8kg

Shipping Size and Weight:

57"L x 11"W x 33" H
145 cm x 28 cm x 84 cm
40lbs / 18.1 kg

SPECIFICATIONS

LED:

Flexible LED Module (>60,000 Hour Lifespan)
Universal Voltage 120V-277V, 50Hz/60Hz

Dimming Options:

TRIAC/ELV or 0-10V*
*See compatible dimmer guide

Standard Brightness:

4462 Lumens (3000K), 94 CRI, 42W
(IES files available upon request)

LED Temperatures (K):

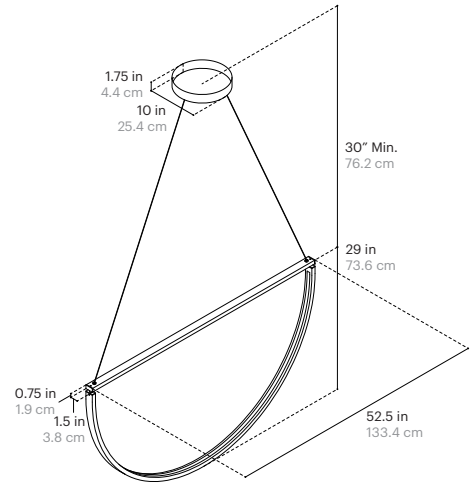
2200, 2500, 2700, 3000, 3500, 4000, 5000

Cord Length:

120" / 304.8 cm, Field Adjustable

Minimum Drop Length:

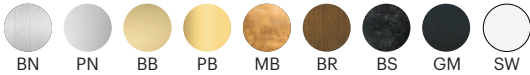
30" / 76.2 cm



FINISH OPTIONS

Metal and Canopy Finishes:

Brushed Nickel, Polished Nickel, Brushed Brass, Polished Brass, Mottled Brass, Bronze, Blackened Steel, Gunmetal, Satin White



SPECIFICATION CODE

Fixture	Size	LED Temp	Brightness	Dimming
CRD	52		SB	UNV
		22 - 2200K		
		25 - 2500K		
		27 - 2700K		
		30 - 3000K		
		35 - 3500K		
		40 - 4000K		
		50 - 5000K		

FINISH CODE

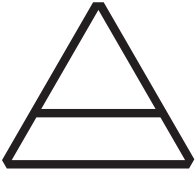
Metal Finish		Canopy Finish	
BN - Brushed Nickel	BR - Bronze	SN - Brushed Nickel	BR - Bronze
PN - Polished Nickel	BS - Blackened Steel	PN - Polished Nickel	BS - Blackened Steel
BB - Brushed Brass	GM - Gunmetal	BB - Brushed Brass	GM - Gunmetal
PB - Polished Brass		PB - Polished Brass	SW - Satin White
MB - Mottled Brass		MB - Mottled Brass	



All products and specifications are subject to change without notice. For custom requests email: info@alexallenstudio.com

Version: January 22, 2024





AlexAllen Studio

AlexAllen Studio LLC
302 3rd Avenue
Brooklyn, NY 11215

+1 (917) 909-0405

www.alexallenstudio.com

DIMMER COMPATABILITY (L.T.F Dimmable LED Drivers)

LUTRON:

CASETA WIRELESS PD-6WCL
DIVA CL DVCL-153P-WH
DIVA ELV DVELV-303P
DIVA 0-10V DVSTV
DIVA 0-10V DVTV
HOME WORKS HQRD-6A
HOME WORKS HQRD-6NA
MRF2-6ELV-120-WH
MAESTRO MRF2-6ELV-120-WH
MAESTRO RF RRA-6D
MAESTRO RF RRA-6NA
MAESTRO RF RRA-6ND
MAESTRO MAELV-600
MAESTRO MSCELV-600M
MAESTRO CL MAELV-153MH
MAESTRO IR MIRELV-600
MAESTRO WIRELESS MRF2-6ELV-120
NOVA T NTELV-600-WH
NOVA NVELV-600-WH
NOVA T NTELV-300
SKYLARK SELV-600-WH
SKYLARK CONTOUR CTELV-303P
VIERTI VTELV-600-XXX

CRESTRON:

CLW-DIMSWEX-P
P-DIMEX
GLX-DIM6
GLXX-2DIM8
CLW-DELVEX-E
CLW-DELVEX-P
CLX-2DIMFLV8
DIN-4DIMFLV4
CLS-EXP-DIMFLV
GLX-DIMFLV8
SELV-300P
CLS-C6
CLS-C6M
CLS-C6EX
CLS-C6MEX
CLS-C6MRF
CLS-C6RF
CLS-EXP-DIM
CLS-EXP-DIMU
CLX-1DIM4
CLX-1DIM8
CLX-2DIM2
CLX-2DIM8

(CONTINUED)

CLX-1DELV4
DIN-1DIM4
DIN-1DIMU4
CLW-DIMEX-E
CLW-DIMEX-P
CLW-DIMSWEX-E

LEVITON:

6615
6672
6674/IPL06
IPE04
IPI06
VP106
VPE04
VPM06
VRE04
VRM10
IP710
DS710
DD710

FEIT

BPMIMSMART/2

