



**AlexAllen** Studio LLC  
302 3rd Avenue  
Brooklyn, NY 11215  
+1 (917) 909-0405

www.alexallenstudio.com

# 2x4 Leather (4ft)



Fixture in Black Leather, Blackened Steel Hardware



Canopy in Satin Black (Feed Side)



Canopy in Satin Black (Non Feed Side)

## PRODUCT INFORMATION

**Year of Design:**  
2018

**Country of Manufacture:**  
Brooklyn, NY, USA

**Materials:**  
Sustainably Harvested Eastern White Pine,  
Leather, Steel, Brass, Aluminum, and Acrylic

**Certifications:**  
Dry / Damp Location  
UL Listed (US and Canada)  
CE Listed (EU)

**Warranty:**  
5 years

**Fixture Weight:**  
5 lbs / 2.25 kg

**Shipping Size and Weight:**  
60" L x 10" W x 10" H  
152 cm x 25 cm x 25 cm  
10 lbs / 4.5 kg

## SPECIFICATIONS

**LED:**  
Flexible LED Module (>60,000 Hour Lifespan)  
Universal Voltage 120V-277V, 50Hz/60Hz

**Dimming Options:**  
TRIAC/ELV or 0-10V\*  
\*See compatible dimmer guide

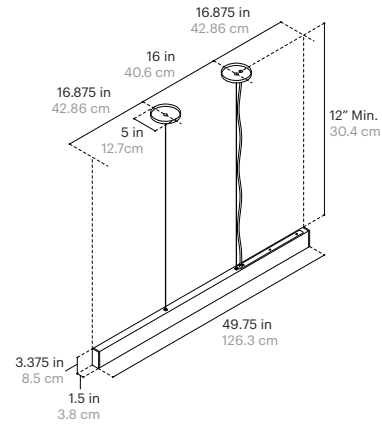
**Standard Brightness:**  
1600 Lumens (3000K), 94 CRI, 15W  
(IES files available upon request)

**High Brightness:**  
2284 Lumens (3000K), 94 CRI, 20W  
(IES files available upon request)

**LED Temperatures (K):**  
2200, 2500, 2700, 3000, 3500, 4000, 5000

**Cord Length:**  
120" / 304.8 cm, Field Adjustable

**Minimum Drop Length:**  
12" / 30.48 cm



## Endcap and Canopy Finishes:

Brushed Nickel, Polished Nickel, Brushed Brass, Polished Brass, Mottled Brass, Bronze, Blackened Steel, Gunmetal



## Leather Finishes:

Cobalt, Dark Brown, Black, Cognac



## Cord Colors:

Black, Brown, Houndstooth



## SPECIFICATION CODE

Fixture	Size	LED Temp	Brightness	Dimming
<b>2X4L</b>	<b>048</b>			
		<b>22</b> - 2200K	<b>SB</b> - Standard Brightness	<b>TE</b> - TRIAC / ELV
		<b>25</b> - 2500K	<b>HB</b> - High Brightness	<b>O10</b> - 0-10V
		<b>27</b> - 2700K		
		<b>30</b> - 3000K		
		<b>35</b> - 3500K		
		<b>40</b> - 4000K		
		<b>50</b> - 5000K		

## FINISH CODE

Endcap and Canopy* Finishes		Leather Finish	Cord Color
<b>BN</b> - Brushed Nickel	<b>BR</b> - Bronze	<b>CO</b> - Cobalt	<b>BK</b> - Black
<b>PN</b> - Polished Nickel	<b>BS</b> - Blackened Steel	<b>DB</b> - Dark Brown	<b>BR</b> - Brown
<b>BB</b> - Brushed Brass	<b>GM</b> - Gunmetal	<b>BK</b> - Black	<b>HT</b> - Houndstooth
<b>PB</b> - Polished Brass		<b>CG</b> - Cognac	
<b>MB</b> - Mottled Brass			

\*Satin White Canopy Upon Request



All products and specifications are subject to change without notice. For custom requests email: [info@alexallenstudio.com](mailto:info@alexallenstudio.com)

Version: January 22, 2024





**AlexAllen**  
Studio LLC  
302 3rd Avenue  
Brooklyn, NY 11215  
+1 (917) 909-0405

www.alexallenstudio.com

# 2x4 Leather (6ft)



Fixture in Cognac Leather, Mottled Brass Hardware



Canopy in Satin Black (Feed Side)



Canopy in Satin Black (Non Feed Side)

## PRODUCT INFORMATION

**Year of Design:**  
2018

**Country of Manufacture:**  
Brooklyn, NY, USA

**Materials:**  
Sustainably Harvested Eastern White Pine,  
Leather, Steel, Brass, Aluminum, and Acrylic

**Certifications:**  
Dry / Damp Location  
UL Listed (US and Canada)  
CE Listed (EU)

**Warranty:**  
5 years

**Fixture Weight:**  
7.5 lbs / 3.4 kg

**Shipping Size and Weight:**  
80"L x 10"W x 10" H  
203 cm x 25 cm x 25 cm  
15 lbs / 6.8 kg

## SPECIFICATIONS

**LED:**  
Flexible LED Module (>60,000 Hour Lifespan)  
Universal Voltage 120V-277V, 50Hz/60Hz

**Dimming Options:**  
TRIAC/ELV or 0-10V\*  
\*See compatible dimmer guide

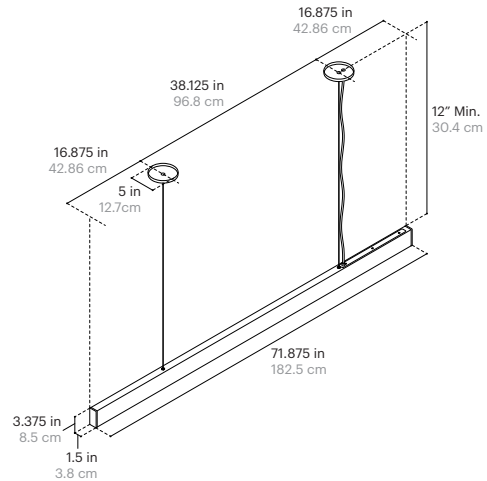
**Standard Brightness:**  
2358 Lumens (3000K), 94 CRI, 22W  
(IES files available upon request)

**High Brightness:**  
3365 Lumens (3000K), 94 CRI, 30W  
(IES files available upon request)

**LED Temperatures (K):**  
2200, 2500, 2700, 3000, 3500, 4000, 5000

**Cord Length:**  
120" / 304.8 cm, Field Adjustable

**Minimum Drop Length:**  
12" / 30.48 cm



**Endcap and Canopy Finishes:**  
Brushed Nickel, Polished Nickel, Brushed Brass, Polished Brass, Mottled Brass, Bronze, Blackened Steel, Gunmetal



**Leather Finishes:**  
Cobalt, Dark Brown, Black, Cognac



**Cord Colors:**  
Black, Brown, Houndstooth



## SPECIFICATION CODE

Fixture	Size	LED Temp	Brightness	Dimming
<b>2X4L</b>	<b>072</b>			
		<b>22</b> - 2200K	<b>SB</b> - Standard Brightness	<b>TE</b> - TRIAC / ELV
		<b>25</b> - 2500K	<b>HB</b> - High Brightness	<b>O10</b> - 0-10V
		<b>27</b> - 2700K		
		<b>30</b> - 3000K		
		<b>35</b> - 3500K		
		<b>40</b> - 4000K		
		<b>50</b> - 5000K		

## FINISH CODE

Endcap and Canopy* Finishes		Leather Finish	Cord Color
<b>BN</b> - Brushed Nickel	<b>BR</b> - Bronze	<b>CO</b> - Cobalt	<b>BK</b> - Black
<b>PN</b> - Polished Nickel	<b>BS</b> - Blackened Steel	<b>DB</b> - Dark Brown	<b>BR</b> - Brown
<b>BB</b> - Brushed Brass	<b>GM</b> - Gunmetal	<b>BK</b> - Black	<b>HT</b> - Houndstooth
<b>PB</b> - Polished Brass		<b>CG</b> - Cognac	
<b>MB</b> - Mottled Brass			

\*Satin White Canopy Upon Request



All products and specifications are subject to change without notice. For custom requests email: [info@alexallenstudio.com](mailto:info@alexallenstudio.com)

Version: January 22, 2024

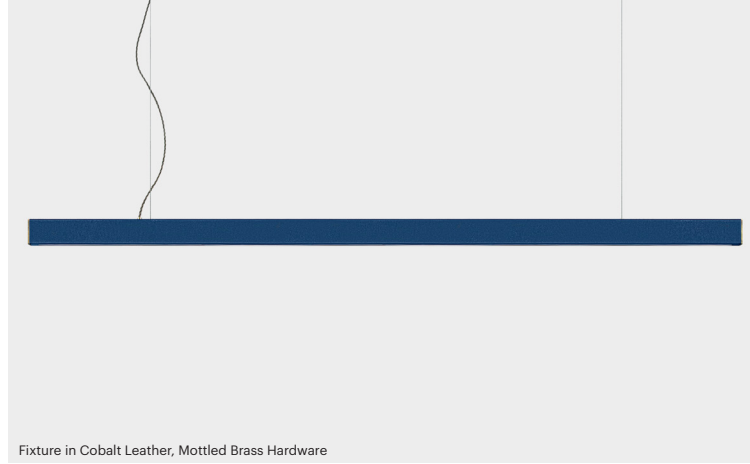




**AlexAllen** Studio LLC  
302 3rd Avenue  
Brooklyn, NY 11215  
+1 (917) 909-0405

www.alexallenstudio.com

# 2x4 Leather (8ft)



Fixture in Cobalt Leather, Mottled Brass Hardware



Canopy in Satin Black (Feed Side)

Canopy in Satin Black (Non Feed Side)

## PRODUCT INFORMATION

**Year of Design:**  
2018

**Country of Manufacture:**  
Brooklyn, NY, USA

**Materials:**  
Sustainably Harvested Eastern White Pine,  
Leather, Steel, Brass, Aluminum, and Acrylic

**Certifications:**  
Dry / Damp Location  
UL Listed (US and Canada)  
CE Listed (EU)

**Warranty:**  
5 years

**Fixture Weight:**  
10 lbs / 4.5 kg

**Shipping Size and Weight:**  
104"L x 10"W x 10" H  
264 cm x 25 cm x 25 cm  
20 lbs / 9.1 kg

## SPECIFICATIONS

**LED:**  
Flexible LED Module (>60,000 Hour Lifespan)  
Universal Voltage 120V-277V, 50Hz/60Hz

**Dimming Options:**  
TRIAC/ELV or 0-10V\*  
\*See compatible dimmer guide

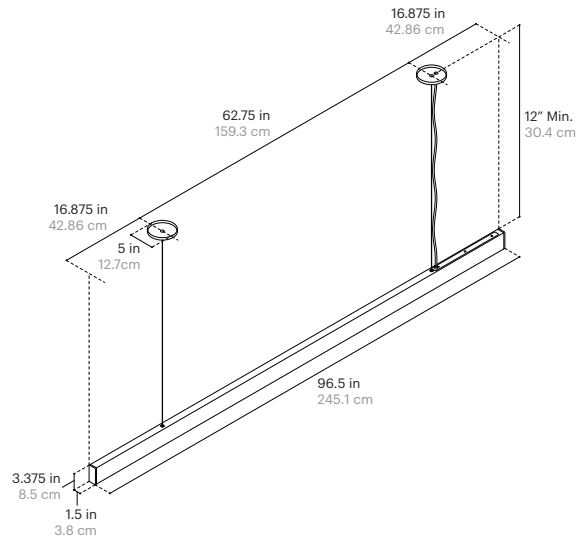
**Standard Brightness:**  
3200 Lumens (3000K), 94 CRI, 30W  
(IES files available upon request)

**High Brightness:**  
4568 Lumens (3000K), 94 CRI, 42W  
(IES files available upon request)

**LED Temperatures (K):**  
2200, 2500, 2700, 3000, 3500, 4000, 5000

**Cord Length:**  
120" / 304.8 cm, Field Adjustable

**Minimum Drop Length:**  
12" / 30.48 cm



## Endcap and Canopy Finishes:

Brushed Nickel, Polished Nickel, Brushed Brass, Polished Brass, Mottled Brass, Bronze, Blackened Steel, Gunmetal



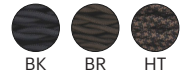
## Leather Finishes:

Cobalt, Dark Brown, Black, Cognac



## Cord Colors:

Black, Brown, Houndstooth



## SPECIFICATION CODE

Fixture	Size	LED Temp	Brightness	Dimming
<b>2X4L</b>	<b>096</b>			
		<b>22</b> - 2200K	<b>SB</b> - Standard Brightness	<b>TE</b> - TRIAC / ELV
		<b>25</b> - 2500K	<b>HB</b> - High Brightness	<b>O10</b> - 0-10V
		<b>27</b> - 2700K		
		<b>30</b> - 3000K		
		<b>35</b> - 3500K		
		<b>40</b> - 4000K		
		<b>50</b> - 5000K		

## FINISH CODE

Endcap and Canopy* Finishes		Leather Finish	Cord Color
<b>BN</b> - Brushed Nickel	<b>BR</b> - Bronze	<b>CO</b> - Cobalt	<b>BK</b> - Black
<b>PN</b> - Polished Nickel	<b>BS</b> - Blackened Steel	<b>DB</b> - Dark Brown	<b>BR</b> - Brown
<b>BB</b> - Brushed Brass	<b>GM</b> - Gunmetal	<b>BK</b> - Black	<b>HT</b> - Houndstooth
<b>PB</b> - Polished Brass		<b>CG</b> - Cognac	
<b>MB</b> - Mottled Brass			

\*Satin White Canopy Upon Request



All products and specifications are subject to change without notice. For custom requests email: [info@alexallenstudio.com](mailto:info@alexallenstudio.com)

Version: January 22, 2024





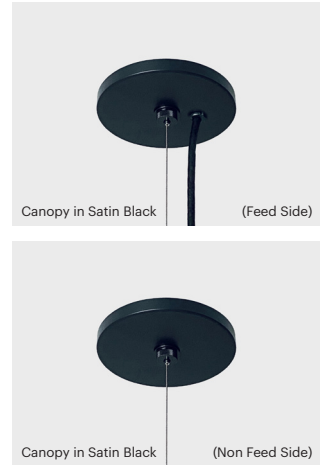
**AlexAllen** Studio LLC  
302 3rd Avenue  
Brooklyn, NY 11215  
+1 (917) 909-0405

www.alexallenstudio.com

# 2x4 Leather (10ft)



Fixture in Cobalt Leather, Mottled Brass Hardware



Canopy in Satin Black (Feed Side)

Canopy in Satin Black (Non Feed Side)

## PRODUCT INFORMATION

**Year of Design:**  
2018

**Country of Manufacture:**  
Brooklyn, NY, USA

**Materials:**  
Sustainably Harvested Eastern White Pine, Leather, Steel, Brass, Aluminum, and Acrylic

**Certifications:**  
Dry / Damp Location  
UL Listed (US and Canada)  
CE Listed (EU)

**Warranty:** 5 years

**Fixture Weight:**  
12.5 lbs / 5.7 kg

**Shipping Size and Weight:**  
125"L x 10"W x 10" H  
318 cm x 25 cm x 25 cm  
22.5 lbs / 10.2 kg  
(Ships LTL Freight)

## SPECIFICATIONS

**LED:**  
Flexible LED Module (>60,000 Hour Lifespan)  
Universal Voltage 120V-277V, 50Hz/60Hz

**Dimming Options:**  
TRIAC/ELV or 0-10V\*  
\*See compatible dimmer guide

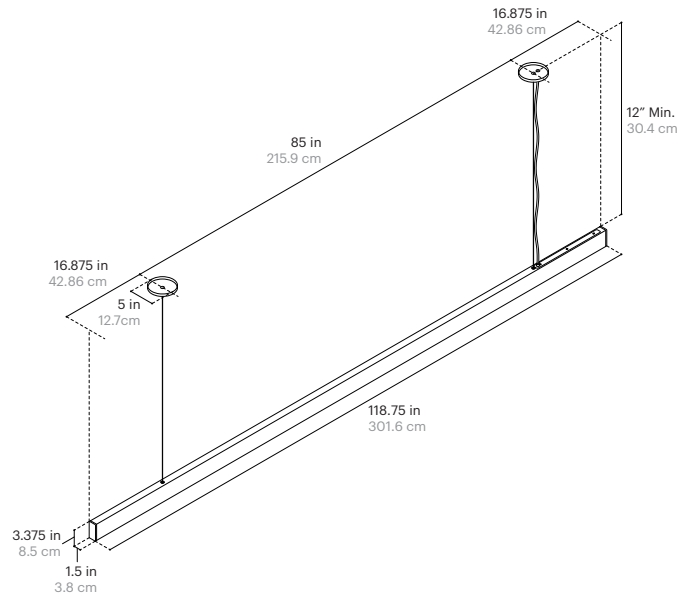
**Standard Brightness:**  
3958 Lumens (3000K), 94 CRI, 38W  
(IES files available upon request)

**High Brightness:**  
5650 Lumens (3000K), 94 CRI, 52W  
(IES files available upon request)

**LED Temperatures (K):**  
2200, 2500, 2700, 3000, 3500, 4000, 5000

**Cord Length:**  
120" / 304.8 cm, Field Adjustable

**Minimum Drop Length:**  
12" / 30.48 cm



**Endcap and Canopy Finishes:**  
Brushed Nickel, Polished Nickel, Brushed Brass, Polished Brass, Mottled Brass, Bronze, Blackened Steel, Gunmetal



**Leather Finishes:**  
Cobalt, Dark Brown, Black, Cognac



**Cord Colors:**  
Black, Brown, Houndstooth



## SPECIFICATION CODE

Fixture	Size	LED Temp	Brightness	Dimming
<b>2X4L</b>	<b>120</b>			
		22 - 2200K	<b>SB</b> - Standard Brightness	<b>TE</b> - TRIAC / ELV
		25 - 2500K	<b>HB</b> - High Brightness*	<b>O10</b> - 0-10V
		27 - 2700K		
		30 - 3000K	*Remote Driver in J-Box	
		35 - 3500K		
		40 - 4000K		
		50 - 5000K		

## FINISH CODE

Endcap and Canopy* Finishes		Leather Finish	Cord Color
<b>BN</b> - Brushed Nickel	<b>BR</b> - Bronze	<b>CO</b> - Cobalt	<b>BK</b> - Black
<b>PN</b> - Polished Nickel	<b>BS</b> - Blackened Steel	<b>DB</b> - Dark Brown	<b>BR</b> - Brown
<b>BB</b> - Brushed Brass	<b>GM</b> - Gunmetal	<b>BK</b> - Black	<b>HT</b> - Houndstooth
<b>PB</b> - Polished Brass		<b>CG</b> - Cognac	
<b>MB</b> - Mottled Brass			

\*Satin White Canopy Upon Request



All products and specifications are subject to change without notice. For custom requests email: [info@alexallenstudio.com](mailto:info@alexallenstudio.com)

Version: January 22, 2024





**AlexAllen** Studio LLC  
302 3rd Avenue  
Brooklyn, NY 11215  
+1 (917) 909-0405

www.alexallenstudio.com

# 2x4 Leather (12ft)



Fixture in Cobalt Leather, Mottled Brass Hardware



Canopy in Satin Black (Feed Side)

Canopy in Satin Black (Non Feed Side)

## PRODUCT INFORMATION

**Year of Design:**  
2018

**Country of Manufacture:**  
Brooklyn, NY, USA

**Materials:**  
Sustainably Harvested Eastern White Pine,  
Leather, Steel, Brass, Aluminum, and Acrylic

**Certifications:**  
Dry / Damp Location  
UL Listed (US and Canada)  
CE Listed (EU)

**Warranty:** 5 years

**Fixture Weight:**  
15 lbs / 6.8 kg

**Shipping Size and Weight:**  
150"L x 10"W x 10" H  
381 cm x 25 cm x 25 cm  
25 lbs / 11.3 kg  
(Ships LTL Freight)

## SPECIFICATIONS

**LED:**  
Flexible LED Module (>60,000 Hour Lifespan)  
Universal Voltage 120V-277V, 50Hz/60Hz

**Dimming Options:**  
TRIAC/ELV or 0-10V\*  
\*See compatible dimmer guide

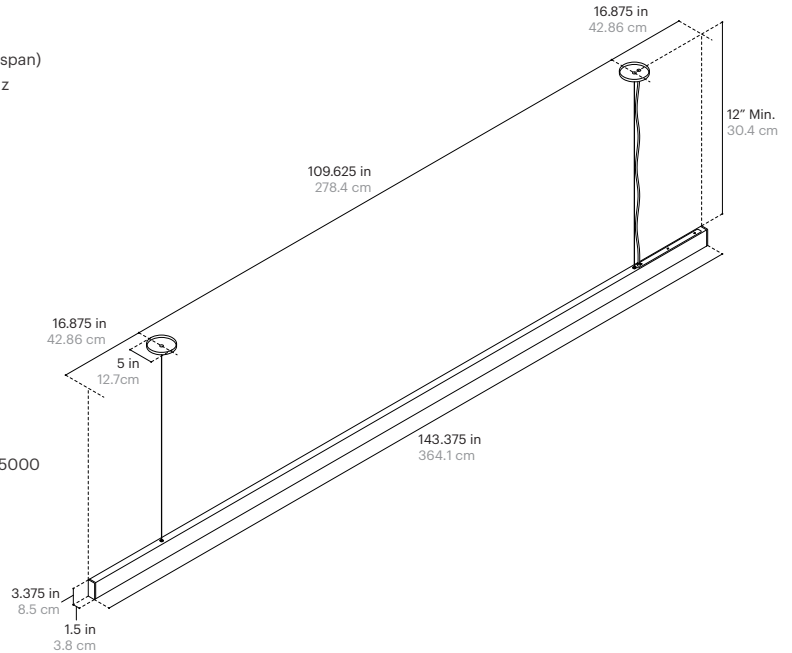
**Standard Brightness:**  
4800 Lumens (3000K), 95 CRI, 40W  
(IES files available upon request)

**High Brightness:**  
6850 Lumens (3000K), 94 CRI, 62W  
(IES files available upon request)

**LED Temperatures (K):**  
2200, 2500, 2700, 3000, 3500, 4000, 5000

**Cord Length:**  
120" / 304.8 cm, Field Adjustable

**Minimum Drop Length:**  
12" / 30.48 cm



## FINISH OPTIONS

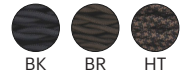
**Endcap and Canopy Finishes:**  
Brushed Nickel, Polished Nickel, Brushed Brass, Polished Brass, Mottled Brass, Bronze, Blackened Steel, Gunmetal



**Leather Finishes:**  
Cobalt, Dark Brown, Black, Cognac



**Cord Colors:**  
Black, Brown, Houndstooth



## SPECIFICATION CODE

Fixture	Size	LED Temp	Brightness	Dimming
2X4L	144	22 - 2200K 25 - 2500K 27 - 2700K 30 - 3000K 35 - 3500K 40 - 4000K 50 - 5000K	SB - Standard Brightness HB - High Brightness*	TE - TRIAC / ELV O10 - 0-10V
		*Remote Driver in J-Box		

## FINISH CODE

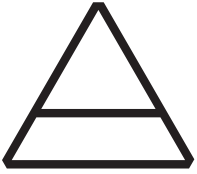
Endcap and Canopy* Finishes	Leather Finish	Cord Color
BN - Brushed Nickel PN - Polished Nickel BB - Brushed Brass PB - Polished Brass MB - Mottled Brass	BR - Bronze BS - Blackened Steel GM - Gunmetal	CO - Cobalt DB - Dark Brown BK - Black CG - Cognac
		BK - Black BR - Brown HT - Houndstooth
*Satin White Canopy Upon Request		



All products and specifications are subject to change without notice. For custom requests email: [info@alexallenstudio.com](mailto:info@alexallenstudio.com)

Version: January 22, 2024





# AlexAllen Studio

AlexAllen Studio LLC  
302 3rd Avenue  
Brooklyn, NY 11215

+1 (917) 909-0405

[www.alexallenstudio.com](http://www.alexallenstudio.com)

---

## DIMMER COMPATABILITY (L.T.F Dimmable LED Drivers)

### LUTRON:

CASETA WIRELESS PD-6WCL  
DIVA CL DVCL-153P-WH  
DIVA ELV DVELV-303P  
DIVA 0-10V DVSTV  
DIVA 0-10V DVTV  
HOME WORKS HQRD-6A  
HOME WORKS HQRD-6NA  
MRF2-6ELV-120-WH  
MAESTRO MRF2-6ELV-120-WH  
MAESTRO RF RRA-6D  
MAESTRO RF RRA-6NA  
MAESTRO RF RRA-6ND  
MAESTRO MAELV-600  
MAESTRO MSCELV-600M  
MAESTRO CL MAELV-153MH  
MAESTRO IR MIRELV-600  
MAESTRO WIRELESS MRF2-6ELV-120  
NOVA T NTELV-600-WH  
NOVA NVELV-600-WH  
NOVA T NTELV-300  
SKYLARK SELV-600-WH  
SKYLARK CONTOUR CTELV-303P  
VIERTI VTELV-600-XXX

### CRESTRON:

CLW-DIMSWEX-P  
P-DIMEX  
GLX-DIM6  
GLXX-2DIM8  
CLW-DELVEX-E  
CLW-DELVEX-P  
CLX-2DIMFLV8  
DIN-4DIMFLV4  
CLS-EXP-DIMFLV  
GLX-DIMFLV8  
SELV-300P  
CLS-C6  
CLS-C6M  
CLS-C6EX  
CLS-C6MEX  
CLS-C6MRF  
CLS-C6RF  
CLS-EXP-DIM  
CLS-EXP-DIMU  
CLX-1DIM4  
CLX-1DIM8  
CLX-2DIM2  
CLX-2DIM8

### (CONTINUED)

CLX-1DELV4  
DIN-1DIM4  
DIN-1DIMU4  
CLW-DIMEX-E  
CLW-DIMEX-P  
CLW-DIMSWEX-E

### LEVITON:

6615  
6672  
6674/IPL06  
IPE04  
IPI06  
VP106  
VPE04  
VPM06  
VRE04  
VRM10  
IP710  
DS710  
DD710

### FEIT

BPMIMSMART/2

