

**AlexAllen
Studio**

AlexAllen Studio LLC
302 3rd Avenue
Brooklyn, NY 11215

+1 (917) 909-0405

www.alexallenstudio.com

Cane Cluster (62")



Fixture in Bronze



Canopy in Bronze

PRODUCT INFORMATION

Year of Design:

2024

Country of Manufacture:

Brooklyn, NY, USA

Materials:

Plated Steel Tube and Acrylic

Certifications:

Dry / Damp Location
UL Listed (US and Canada)
CE Listed (EU)

Warranty:

5 years

Fixture Weight:

18 lbs / 8.2 kg

Shipping Size and Weight:

60"L x 48"W x 48" H
152.4 cm x 122 cm x 122 cm
175 lbs / 79.4 kg
(Ships LTL Freight)

SPECIFICATIONS

LED:

Flexible LED Module (>60,000 Hour Lifespan)
Universal Voltage 120V-277V, 50Hz/60Hz

Dimming Options:

TRIAC/ELV or 0-10V*
*See compatible dimmer guide

Standard Brightness:

5052 Lumens (3000K), 94 CRI, 48W

LED Temperatures (K):

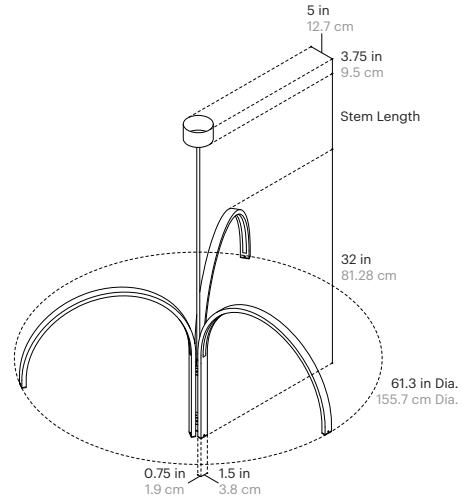
2200, 2700, 3000, 3500, 4000, 5000

Stem Length*:

6" / 15.24 cm
12" / 30.48 cm
18" / 45.72 cm
30" / 76.2 cm
36" / 91.44 cm
42" / 106.68 cm
54" / 137.16 cm

*Custom stem lengths available upon request

Canopy compatible with sloped & flat ceilings



FINISH OPTIONS

Metal and Canopy Finishes:

Brushed Nickel, Polished Nickel, Brushed Brass, Polished Brass, Mottled Brass, Bronze, Blackened Steel, Gunmetal



SPECIFICATION CODE

Fixture	Size	Stem Length	LED Temp	Brightness	Dimming
CCLU	62			SB	UNV
		6 Inches	22 - 2200K		
		12 Inches	27 - 2700K		
		18 Inches	30 - 3000K		
		30 Inches	35 - 3500K		
		36 Inches	40 - 4000K		
		42 Inches	50 - 5000K		
		54 Inches			
		CU Custom			

FINISH CODE

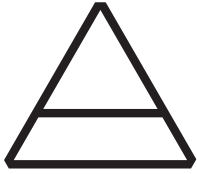
Metal Finish (Includes Canopy and Stem)	
BN - Brushed Nickel	BR - Bronze
PN - Polished Nickel	BS - Blackened Steel
BB - Brushed Brass	GM - Gunmetal
PB - Polished Brass	
MB - Mottled Brass	



All products and specifications are subject to change without notice. For custom requests email: info@alexallenstudio.com

Version: October 1, 2024





AlexAllen
Studio

AlexAllen Studio LLC
302 3rd Avenue
Brooklyn, NY 11215

+1 (917) 909-0405

www.alexallenstudio.com

Cane Cluster (72")



Fixture in Bronze



Canopy in Bronze

PRODUCT INFORMATION

Year of Design:

2024

Country of Manufacture:

Brooklyn, NY, USA

Materials:

Plated Steel Tube and Acrylic

Certifications:

Dry / Damp Location
UL Listed (US and Canada)
CE Listed (EU)

Warranty:

5 years

Fixture Weight:

22 lbs / 9.9 kg

Shipping Size and Weight:

72"L x 72"W x 48" H
182.8 cm x 182.8 cm x 122 cm
200 lbs / 90.7 kg
(Ships LTL Freight)

SPECIFICATIONS

LED:

Flexible LED Module (>60,000 Hour Lifespan)
Universal Voltage 120V-277V, 50Hz/60Hz

Dimming Options:

TRIAC/ELV or 0-10V*
*See compatible dimmer guide

Standard Brightness:

5810 Lumens (3000K), 94 CRI, 55W

LED Temperatures (K):

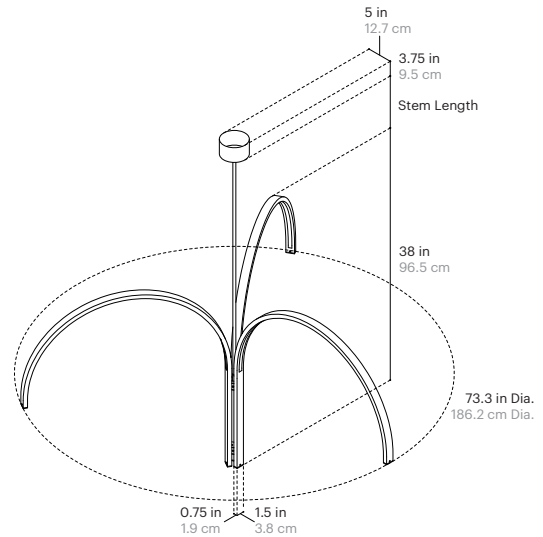
2200, 2700, 3000, 3500, 4000, 5000

Stem Length*:

10" / 25.4 cm
16" / 40.64 cm
28" / 71.12 cm
34" / 86.36 cm
40" / 101.6 cm
52" / 132.08 cm

*Custom stem lengths available upon request

Canopy compatible with sloped & flat ceilings



FINISH OPTIONS

Metal and Canopy Finishes:

Brushed Nickel, Polished Nickel, Brushed Brass, Polished Brass, Mottled Brass, Bronze, Blackened Steel, Gunmetal



SPECIFICATION CODE

Fixture	Size	Stem Length	LED Temp	Brightness	Dimming
CCLU	72			SB	UNV
		10 Inches	22 - 2200K		
		16 Inches	27 - 2700K		
		28 Inches	30 - 3000K		
		34 Inches	35 - 3500K		
		40 Inches	40 - 4000K		
		52 Inches	50 - 5000K		
		CU Custom			

FINISH CODE

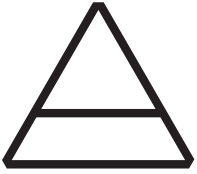
Metal Finish (Includes Canopy and Stem)	
BN - Brushed Nickel	BR - Bronze
PN - Polished Nickel	BS - Blackened Steel
BB - Brushed Brass	GM - Gunmetal
PB - Polished Brass	
MB - Mottled Brass	



All products and specifications are subject to change without notice. For custom requests email: info@alexallenstudio.com

Version: October 1, 2024





AlexAllen Studio

AlexAllen Studio LLC
302 3rd Avenue
Brooklyn, NY 11215

+1 (917) 909-0405

www.alexallenstudio.com

DIMMER COMPATABILITY (L.T.F Dimmable LED Drivers)

LUTRON:

CASETA WIRELESS PD-6WCL
DIVA CL DVCL-153P-WH
DIVA ELV DVELV-303P
DIVA 0-10V DVSTV
DIVA 0-10V DVTV
HOME WORKS HQRD-6A
HOME WORKS HQRD-6NA
MRF2-6ELV-120-WH
MAESTRO MRF2-6ELV-120-WH
MAESTRO RF RRA-6D
MAESTRO RF RRA-6NA
MAESTRO RF RRA-6ND
MAESTRO MAELV-600
MAESTRO MSCELV-600M
MAESTRO CL MAELV-153MH
MAESTRO IR MIRELV-600
MAESTRO WIRELESS MRF2-6ELV-120
NOVA T NTELV-600-WH
NOVA NVELV-600-WH
NOVA T NTELV-300
SKYLARK SELV-600-WH
SKYLARK CONTOUR CTELV-303P
VIERTI VTELV-600-XXX

CRESTRON:

CLW-DIMSWEX-P
P-DIMEX
GLX-DIM6
GLXX-2DIM8
CLW-DELVEX-E
CLW-DELVEX-P
CLX-2DIMFLV8
DIN-4DIMFLV4
CLS-EXP-DIMFLV
GLX-DIMFLV8
SELV-300P
CLS-C6
CLS-C6M
CLS-C6EX
CLS-C6MEX
CLS-C6MRF
CLS-C6RF
CLS-EXP-DIM
CLS-EXP-DIMU
CLX-1DIM4
CLX-1DIM8
CLX-2DIM2
CLX-2DIM8

(CONTINUED)

CLX-1DELV4
DIN-1DIM4
DIN-1DIMU4
CLW-DIMEX-E
CLW-DIMEX-P
CLW-DIMSWEX-E

LEVITON:

6615
6672
6674/IPL06
IPE04
IPI06
VP106
VPE04
VPM06
VRE04
VRM10
IP710
DS710
DD710

FEIT

BPMIMSMART/2

