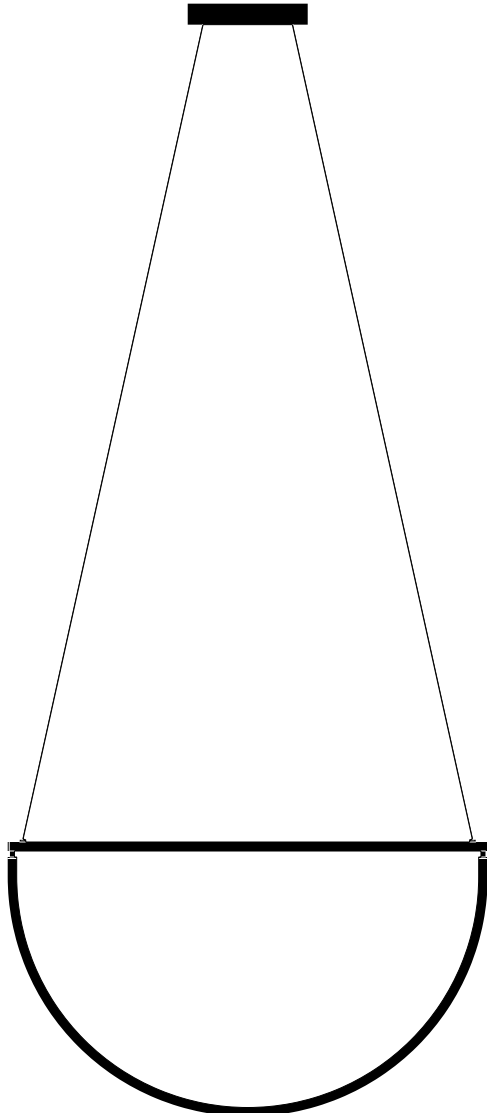


AlexAllen Studio

Chord Collection

Installation and Product Guide
30", 36", 40", 48", and 52" Pendants and Convoy



CAUTION:
Electric shock risk. Turn off electrical power at breaker before beginning installation. We recommend this product be installed by a qualified electrician only.

INSTALLATION INSTRUCTIONS

(1) Attach **Ceiling Plate** to ceiling **Junction Box** with junction box screws.

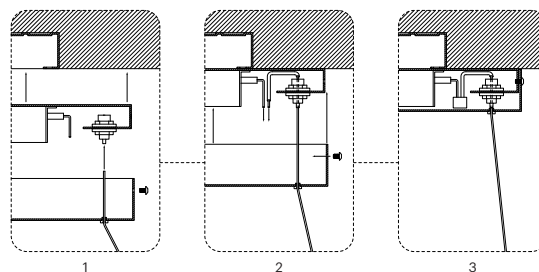
(2) Remove Red+ and Black- **Cable Insulators** from cables and save for step 3 (keep note of colors through install). Feed the **Suspension Cables** through the holes in the bottom of the **Canopy** and into the **Cable Grippers** in the **Ceiling Plate**. Continue feeding Suspension Cables through the cable grippers until the fixture is level and at the desired height. Tighten the cable gripper lock nuts after final adjustments. See Diagram 'A' box '1' below for more detail

(3) Slide the Red+ and Black- **Cable Insulators** along the excess **Conductive Cables** until they reach the top of the cable grippers. Ensure the cable insulators cover the conductive cables so they don't touch the metal interior of the canopy or ceiling plate. Trim cables to appropriate length. See Diagram 'A' box '2' below for more detail.

(4) Connect the **Red+ Conductive Suspension Cable** to the Red+ output cable on the LED driver. Connect the **Black- Conductive Suspension Cable** to the Black- driver output. Connect the driver input cables to the line voltage input.

(5) Slide the **Canopy** up the **Suspension Cables** to the ceiling and secure it using the two **Set Screws**. See Diagram 'A' box '3' below for more detail.

Diagram A



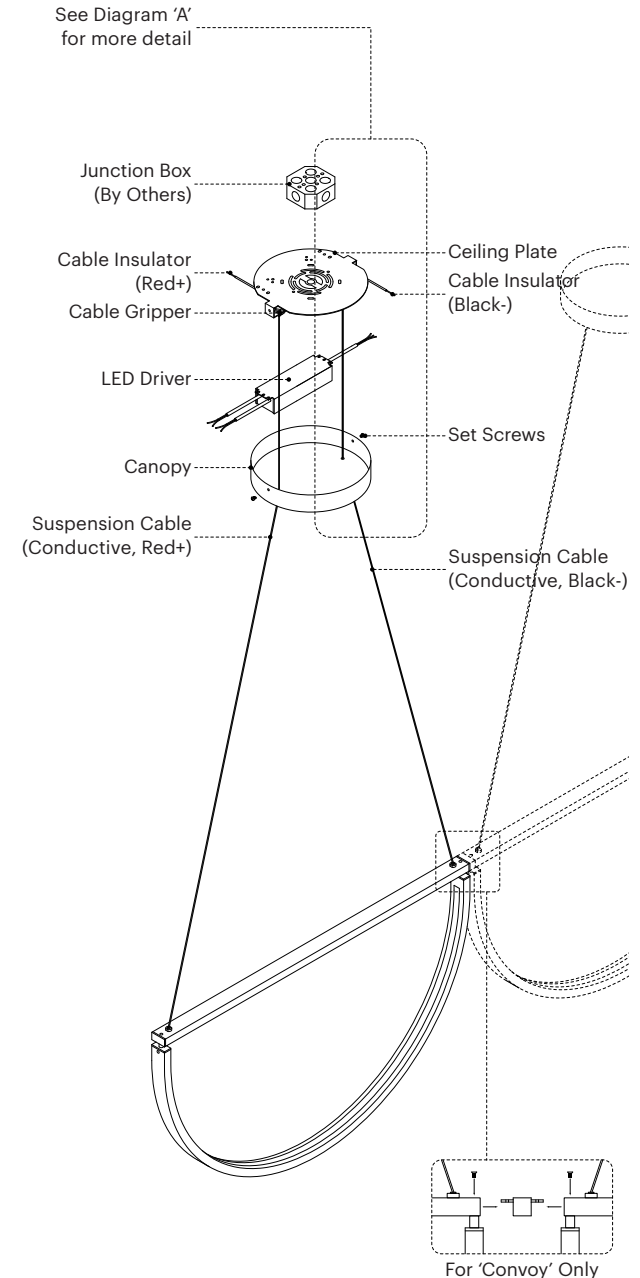
See back of instruction book for installation photographs



Flexible LED Module (>60,000 Hour Lifespan)
Universal Voltage 120V-277V, 50Hz/60Hz



INSTALLATION DIAGRAMS



DIMMER COMPATIBILITY

LUTRON:

CASETA WIRELESS PD-6WCL
 DIVA CL DVCL-153P-WH
 DIVA ELV DVELV-303P
 DIVA 0-10V DVSTV
 DIVA 0-10V DDTV
 HOME WORKS HQRD-6A
 HOME WORKS HQRD-6NA
 MRF2-6ELV-120-WH
 MAESTRO MRF2-6ELV-120-WH
 MAESTRO RF RRA-6D
 MAESTRO RF RRA-6NA
 MAESTRO RF RRA-6ND
 MAESTRO MAELV-600
 MAESTRO MSCELV-600M
 MAESTRO CL MACL-153MH
 MAESTRO IR MIRELV-600
 MAESTRO WIRELESS MRF2-6ELV-120
 NOVA T NTELV-600-WH
 NOVA NVELV-600-WH
 NOVA T NTELV-300
 SKYLARK SELV-600-WH
 SKYLARK CONTOUR CTELV-303P
 VIERTI VTELV-600-XXX

LEVITON:

6615
 6672
 6674/IPLO6
 IPEO4
 IPIO6
 VP106
 VPEO4
 VPMO6
 VREO4
 VRM10
 IP710

AlexAllen Studio LLC
 T: +1 (917) 909-0405
 info@alexallenstudio.com
 www.alexallenstudio.com

CONT.

DS710
 DD710

CRESTRON:

CLW-DIMSWEX-P
 P-DIMEX
 GLX-DIM6
 GLXX-2DIM8
 CLW-DELVEX-E
 CLW-DELVEX-P
 CLX-2DIMFLV8
 DIN-4DIMFLV4
 CLS-EXP-DIMFLV
 GLX-DIMFLV8
 SELV-300P
 CLS-C6
 CLS-C6M
 CLS-C6EX
 CLS-C6MEX
 CLS-C6MRF
 CLS-C6RF
 CLS-EXP-DIM
 CLS-EXP-DIMU
 CLX-1DIM4
 CLX-1DIM8
 CLX-2DIM2
 CLX-2DIM8
 CLX-1DELV4
 DIN-1DIM4
 DIN-1DIMU4
 CLW-DIMEX-E
 CLW-DIMEX-P
 CLW-DIMSWEX-E

FEIT

BPMIMSMART/2

Version: December 1, 2024

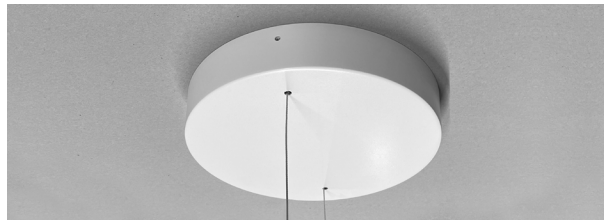
INSTALLATION PHOTOGRAPHS



(1) After installing **Ceiling Plate**, feed the **Suspension Cables** through the holes in the bottom of the **Canopy** and into the **Cable Grippers** in the **Ceiling Plate** until fixture is level and at the desired height. Tighten the cable gripper lock nuts after final adjustments.

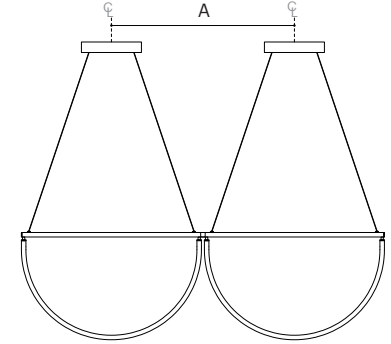


(2) Slide the Red+ and Black- **Cable Insulators** along the excess **Conductive Cables** until they reach the top of the cable grippers. Ensure the cable insulators cover the conductive cables so they don't touch the metal interior of the canopy or ceiling plate. Connect the Red+ and Black- Cable Insulators to the corresponding Red+ and Black- Output wires on the driver. Connect the driver input cables to the line voltage input.



(3) After connecting wires, slide the **Canopy** up the **Suspension Cables** to the ceiling. Make sure any loose cables or wires are tucked inside the canopy and confirm that the conductive suspension cables are not touching any metal surfaces on the interior. Secure the **Canopy** using **Set Screws** provided.

CHORD CONVOY INSTALLATION



Fixture Size

30" Pendants
 36" Pendants
 40" Pendants
 48" Pendants
 52" Pendants

Distance 'A'

A = 30.5 in / 77.47 cm
 A = 36.5 in / 92.71 cm
 A = 40.5 in / 102.87 cm
 A = 48.5 in / 123.19 cm
 A = 53 in / 134.62 cm

(1) Align and install each additional ceiling plate using the mounting distances above for matching sizes. There should be 3/4" between each fixture to accommodate the metal connector.

(2) When ceiling plates are installed follow standard Chord Pendant installation instructions.

(3) Slide convoy connector into the ends of both chords and secure using provided screws.

CARE INSTRUCTIONS

For removing oils from metal surfaces after handling, or for removing moisture, grease, or dirt, wipe or rub lightly with a dry microfiber or cotton cloth.

Do not use any abrasive or acidic household cleaning products on product surfaces.

For the best maintenance of the product, protect against sunlight, heat, or any other natural elements.