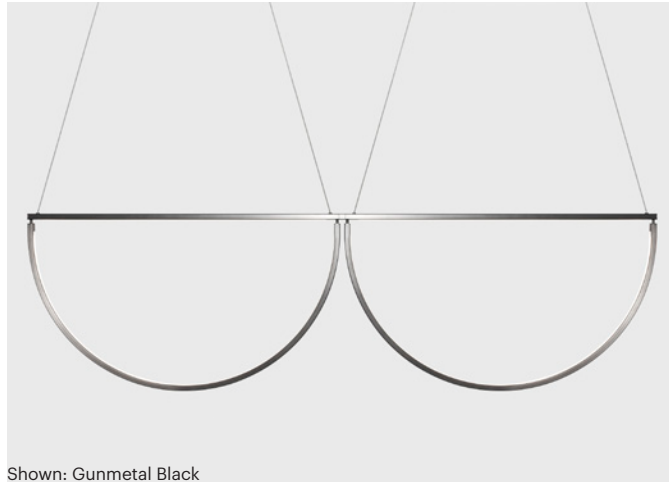


**AlexAllen
Studio**

AlexAllen Studio LLC
302 3rd Avenue
Brooklyn, NY 11215
T: +1 (917) 909-0405
info@alexallenstudio.com
www.alexallenstudio.com

Chord Convoy (30"+30")



Shown: Gunmetal Black



Canopy in Bronze

PRODUCT INFORMATION

Year of Design:
2017

Country of Manufacture:
Brooklyn, NY, USA

Materials:
LED, Rectangular Steel Tube,
and Acrylic

Certifications:
Damp Location
UL listed (US and Canada)

Warranty: 5 years

Fixture Weight:
16 lbs / 7.3kg

Shipping Size and Weight:
55"L x 9"W x 29" H
386 cm x 23 cm x 74 cm
30lbs / 13.6 kg

SPECIFICATIONS

Flexible LED Module (>60,000 Hour Lifespan)
Universal Voltage 120V-277V, 50Hz/60Hz

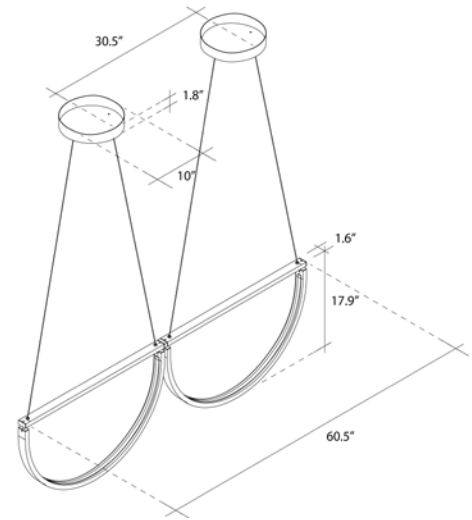
Dimming Options:
TRIAC/ELV or 0-10 V Control*
*SEE ASSEMBLY GUIDE FOR COMPATIBLE
DIMMERS

Output: 3650 Lumens, 86 CRI, 74W

LED Temperatures (K): 2200, 2500, 2700,
3000, 3500, 4000, 5000

Cord Length*:
120" / 304.8 cm, Field Adjustable*

***Note:** Numbers / sizes of individual Chord
modules are fully customizable for the
Chord Convoy.*



FINISH OPTIONS

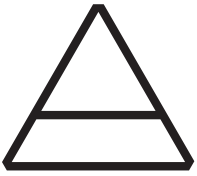
Metal Finishes: Satin Nickel, Polished Nickel, Brushed Brass, Polished Brass, Mottled Brass, Bronze, Blackened Steel, Gunmetal Black.



SPECIFICATION CODE

| Fixture | Size | LED Temperature | Brightness | Dimming | Metal Finish | Canopy Finish |
|------------|---|--|------------------------------------|---|--|---|
| CON | 30 | | SB | UNV | | |
| | 30 - 30"+30" 36 - 36"+36" 40 - 40"+40" 48 - 48"+48" CU - Custom | 22 - 2200K 25 - 2500K 27 - 2700K 30 - 3000K 35 - 3500K 40 - 4000K 50 - 5000K | SB - Standard Brightness | UNV - TRIAC/ ELV or 0-10 V Control | SN - Satin Nickel PN - Polished Nickel BB - Brushed Brass PB - Polished Brass MB - Mottled Brass BR - Bronze BS - Blackened Steel GB - Gunmetal | SN - Satin Nickel PN - Polished Nickel BB - Brushed Brass PB - Polished Brass MB - Mottled Brass BR - Bronze BS - Blackened Steel GB - Gunmetal SW - Satin White |

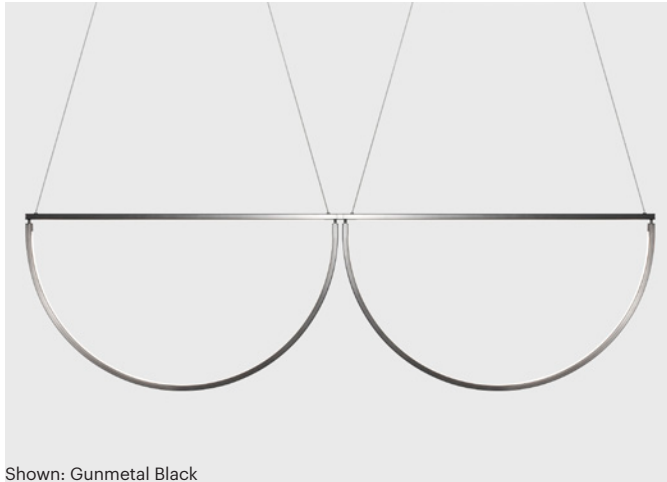




**AlexAllen
Studio**

AlexAllen Studio LLC
302 3rd Avenue
Brooklyn, NY 11215
T: +1 (917) 909-0405
info@alexallenstudio.com
www.alexallenstudio.com

Chord Convoy (36"+36")



Shown: Gunmetal Black



PRODUCT INFORMATION

Year of Design:
2017

Country of Manufacture:
Brooklyn, NY, USA

Materials:
LED, Rectangular Steel Tube,
and Acrylic

Certifications:
Damp Location
UL listed (US and Canada)

Warranty: 5 years

Fixture Weight:
18 lbs / 8.2kg

Shipping Size and Weight:
55"L x 9"W x 29" H
152 cm x 25 cm x 25 cm
35lbs / 15.9 kg

SPECIFICATIONS

Flexible LED Module (>60,000 Hour Lifespan)
Universal Voltage 120V-277V, 50Hz/60Hz

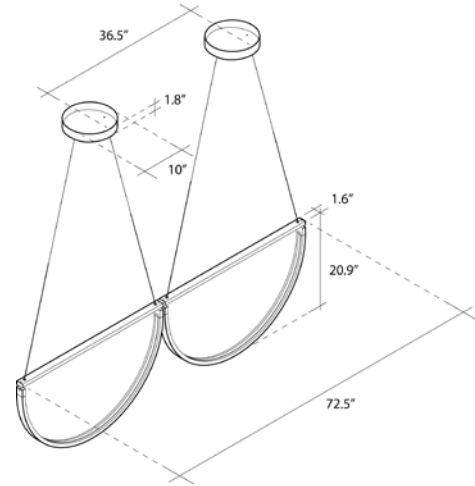
Dimming Options:
TRIAC/ELV or 0-10 V Control*
*SEE ASSEMBLY GUIDE FOR COMPATIBLE
DIMMERS

Output: 4350 Lumens, 86 CRI, 90W

LED Temperatures (K): 2200, 2500, 2700,
3000, 3500, 4000, 5000

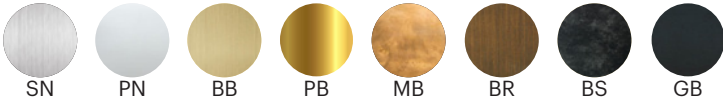
Cord Length*:
120" / 304.8 cm, Field Adjustable*

***Note:** Numbers / sizes of individual Chord
modules are fully customizable for the
Chord Convoy.*



FINISH OPTIONS

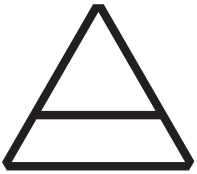
Metal Finishes: Satin Nickel, Polished Nickel, Brushed Brass, Polished Brass, Mottled Brass, Bronze, Blackened Steel, Gunmetal Black.



SPECIFICATION CODE

| Fixture | Size | LED Temperature | Brightness | Dimming | Metal Finish | Canopy Finish |
|------------|---|--|------------------------------------|---|--|---|
| CON | 36 | | SB | UNV | | |
| | 30 - 30"+30" 36 - 36"+36" 40 - 40"+40" 48 - 48"+48" CU - Custom | 22 - 2200K 25 - 2500K 27 - 2700K 30 - 3000K 35 - 3500K 40 - 4000K 50 - 5000K | SB - Standard Brightness | UNV - TRIAC/ ELV or 0-10 V Control | SN - Satin Nickel PN - Polished Nickel BB - Brushed Brass PB - Polished Brass MB - Mottled Brass BR - Bronze BS - Blackened Steel GB - Gunmetal | SN - Satin Nickel PN - Polished Nickel BB - Brushed Brass PB - Polished Brass MB - Mottled Brass BR - Bronze BS - Blackened Steel GB - Gunmetal SW - Satin White |



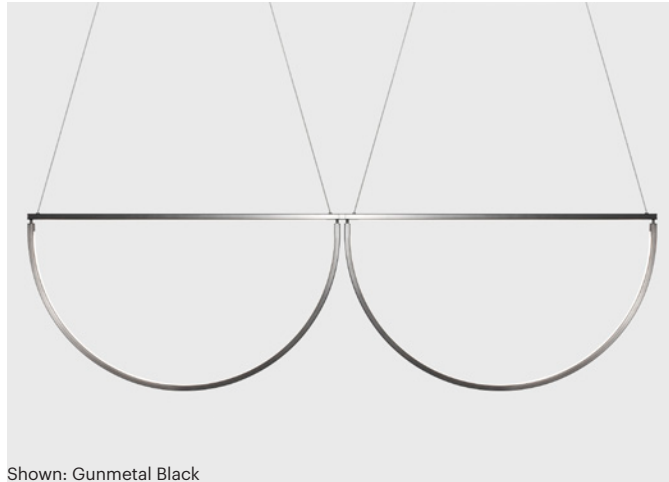


**AlexAllen
Studio**

AlexAllen Studio LLC
302 3rd Avenue
Brooklyn, NY 11215
T: +1 (917) 909-0405
info@alexallenstudio.com

www.alexallenstudio.com

Chord Convoy (40"+40")



Shown: Gunmetal Black

Canopy in Bronze



PRODUCT INFORMATION

Year of Design:
2017

Country of Manufacture:
Brooklyn, NY, USA

Materials:
LED, Rectangular Steel Tube,
and Acrylic

Certifications:
Damp Location
UL listed (US and Canada)

Warranty: 5 years

Fixture Weight:
20 lbs / 9.1 kg

Shipping Size and Weight:
55" L x 9" W x 29" H
152 cm x 25 cm x 25 cm
40lbs / 18.1 kg

SPECIFICATIONS

Flexible LED Module (>60,000 Hour Lifespan)
Universal Voltage 120V-277V, 50Hz/60Hz

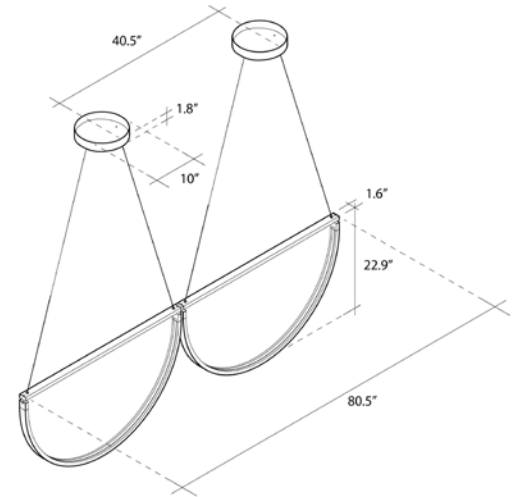
Dimming Options:
TRIAC/ELV or 0-10 V Control*
*SEE ASSEMBLY GUIDE FOR COMPATIBLE
DIMMERS

Output: 4900 Lumens, 86 CRI, 100W

LED Temperatures (K): 2200, 2500, 2700,
3000, 3500, 4000, 5000

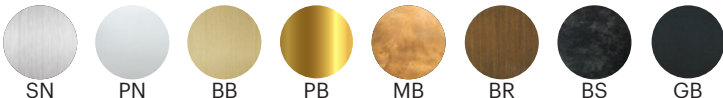
Cord Length*:
120" / 304.8 cm, Field Adjustable*

***Note:** Numbers / sizes of individual Chord
modules are fully customizable for the
Chord Convoy.*



FINISH OPTIONS

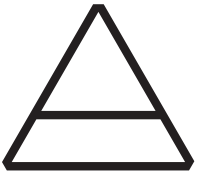
Metal Finishes: Satin Nickel, Polished Nickel, Brushed Brass, Polished Brass, Mottled Brass, Bronze, Blackened Steel, Gunmetal Black.



SPECIFICATION CODE

| Fixture | Size | LED Temperature | Brightness | Dimming | Metal Finish | Canopy Finish |
|------------|---|--|------------------------------------|---|--|---|
| CON | 40 | | SB | UNV | | |
| | 30 - 30"+30" 36 - 36"+36" 40 - 40"+40" 48 - 48"+48" CU - Custom | 22 - 2200K 25 - 2500K 27 - 2700K 30 - 3000K 35 - 3500K 40 - 4000K 50 - 5000K | SB - Standard Brightness | UNV - TRIAC/ ELV or 0-10 V Control | SN - Satin Nickel PN - Polished Nickel BB - Brushed Brass PB - Polished Brass MB - Mottled Brass BR - Bronze BS - Blackened Steel GB - Gunmetal | SN - Satin Nickel PN - Polished Nickel BB - Brushed Brass PB - Polished Brass MB - Mottled Brass BR - Bronze BS - Blackened Steel GB - Gunmetal SW - Satin White |

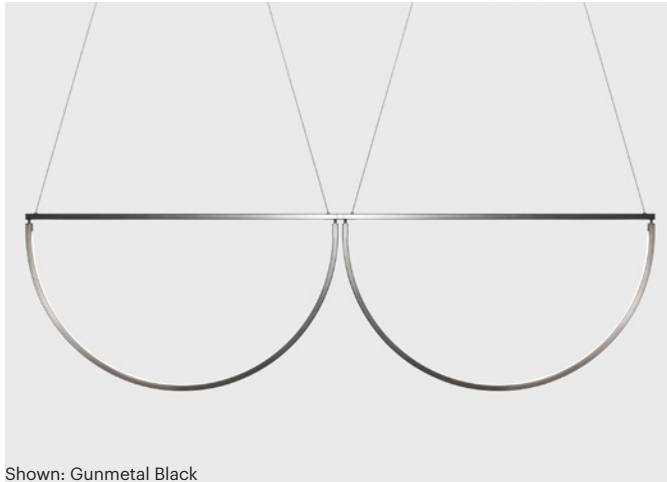




**AlexAllen
Studio**

AlexAllen Studio LLC
302 3rd Avenue
Brooklyn, NY 11215
T: +1 (917) 909-0405
info@alexallenstudio.com
www.alexallenstudio.com

Chord Convoy (48"+48")



Shown: Gunmetal Black



Canopy in Bronze

PRODUCT INFORMATION

Year of Design:
2017

Country of Manufacture:
Brooklyn, NY, USA

Materials:
LED, Rectangular Steel Tube,
and Acrylic

Certifications:
Damp Location
UL listed (US and Canada)

Warranty: 5 years

Fixture Weight:
24 lbs / 10.9 kg

Shipping Size and Weight:
57"L x 11"W x 33" H
145 cm x 28 cm x 84 cm
45lbs / 20.4 kg

SPECIFICATIONS

Flexible LED Module (>60,000 Hour Lifespan)
Universal Voltage 120V-277V, 50Hz/60Hz

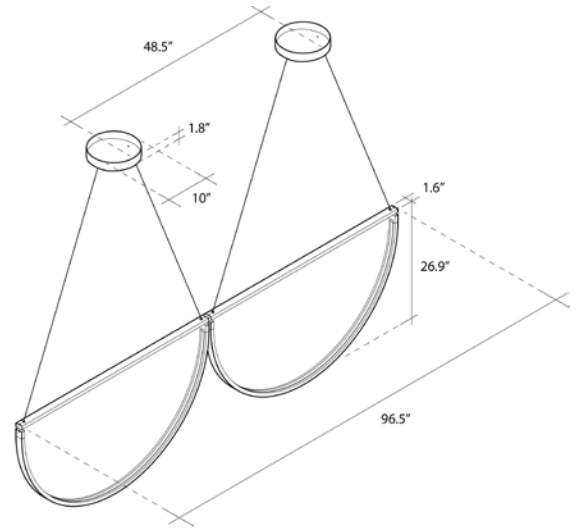
Dimming Options:
TRIAC/ELV or 0-10 V Control*
*SEE ASSEMBLY GUIDE FOR COMPATIBLE
DIMMERS

Output: 5900 Lumens, 86 CRI, 120W

LED Temperatures (K): 2200, 2500, 2700,
3000, 3500, 4000, 5000

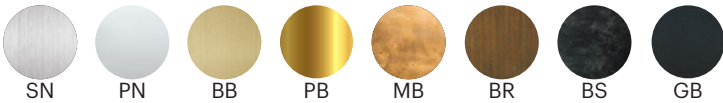
Cord Length*:
120" / 304.8 cm, Field Adjustable*

***Note:** Numbers / sizes of individual Chord
modules are fully customizable for the
Chord Convoy.*



FINISH OPTIONS

Metal Finishes: Satin Nickel, Polished Nickel, Brushed Brass, Polished Brass, Mottled Brass, Bronze, Blackened Steel, Gunmetal Black.



SPECIFICATION CODE

| Fixture | Size | LED Temperature | Brightness | Dimming | Metal Finish | Canopy Finish |
|------------|---|--|------------------------------------|---|--|---|
| CON | 48 | | SB | UNV | | |
| | 30 - 30"+30" 36 - 36"+36" 40 - 40"+40" 48 - 48"+48" CU - Custom | 22 - 2200K 25 - 2500K 27 - 2700K 30 - 3000K 35 - 3500K 40 - 4000K 50 - 5000K | SB - Standard Brightness | UNV - TRIAC/ ELV or 0-10 V Control | SN - Satin Nickel PN - Polished Nickel BB - Brushed Brass PB - Polished Brass MB - Mottled Brass BR - Bronze BS - Blackened Steel GB - Gunmetal | SN - Satin Nickel PN - Polished Nickel BB - Brushed Brass PB - Polished Brass MB - Mottled Brass BR - Bronze BS - Blackened Steel GB - Gunmetal SW - Satin White |

