

**AlexAllen
Studio**

AlexAllen Studio LLC
302 3rd Avenue
Brooklyn, NY 11215

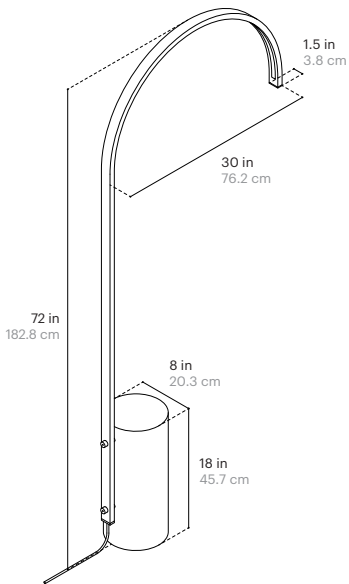
+1 (917) 909-0405

www.alexallenstudio.com

Cane Floorlamp



Fixture in Gunmetal



PRODUCT INFORMATION

Year of Design:
2019

Country of Manufacture:
Brooklyn, NY, USA

Materials:
Steel Tube, Acrylic, and Cordova Limestone

Certifications:
UL Listed (US and Canada)
CE Listed (EU)

Warranty: 5 years

Fixture Weight:
80lbs/36.2kg

Box 1 - Shipping Size and Weight:
76"L x 34"W x 6" H
193 cm x 86.4 cm x 15.2 cm
30lbs / 13.6 kg

Box 2 - Shipping Size and Weight:
18"L x 8"W x 8" H
45.7 cm x 20.3 cm x 20.3 cm
50lbs / 22.6 kg

SPECIFICATIONS

LED:
Flexible LED Module (>60,000 Hour Lifespan)
Universal Voltage 120V-277V, 50Hz/60Hz

Dimming Options:
Pulse Width Modulation, Dims from 0 to 100%

Standard Brightness:
2284 Lumens (3000K), 94 CRI, 20W
(IES files available upon request)

LED Temperatures (K):
2200, 2500, 2700, 3000, 3500, 4000, 5000

Cord Length:
120" / 304.8 cm, Field Adjustable

FINISH OPTIONS

Metal Finishes:

Brushed Nickel, Polished Nickel, Brushed Brass, Polished Brass, Mottled Brass, Bronze, Blackened Steel, Gunmetal



Stone Finishes:

Cordova Limestone



Cord Colors:

Black, Brown, Houndstooth



SPECIFICATION CODE

Fixture	LED Temp	Brightness	Dimming
CAN		SB	PWM
	22 - 2200K		
	25 - 2500K		
	27 - 2700K		
	30 - 3000K		
	35 - 3500K		
	40 - 4000K		
	50 - 5000K		

FINISH CODE

Metal Finish	Stone Finish	Cord Color
BN - Brushed Nickel	CV - Cordova Limestone	BK - Black
PN - Polished Nickel		BR - Brown
BB - Brushed Brass		HT - Houndstooth
PB - Polished Brass		
MB - Mottled Brass		
BR - Bronze		
BS - Blackened Steel		
GM - Gunmetal		

