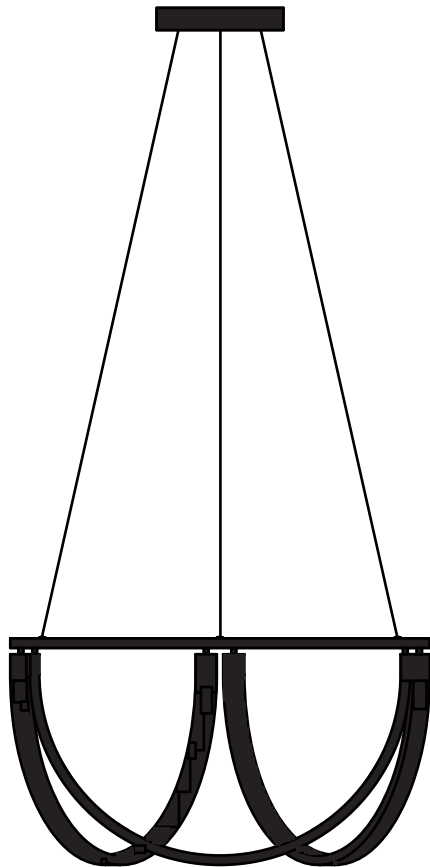


**AlexAllen**  
Studio

## Chord Cluster Collection

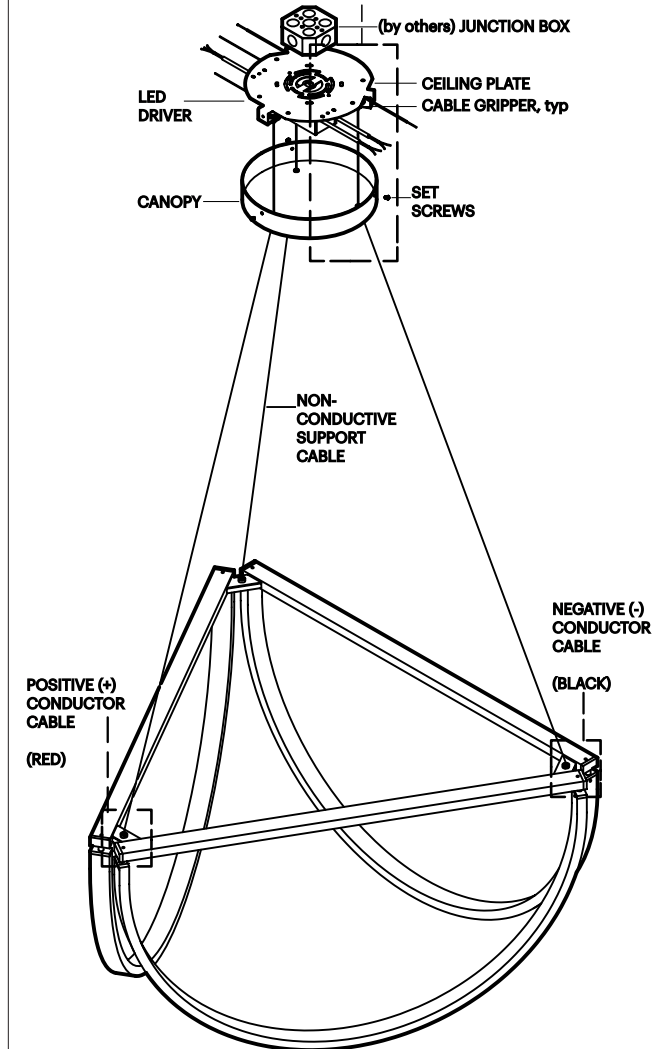
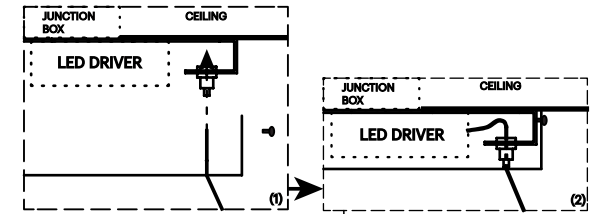
Installation and Product Guide  
(30", 36", 40", 48")



**CAUTION:** Electric shock risk. Turn off electrical power at breaker before beginning installation. We recommend this product be installed by a qualified electrician only.

### Installation Instructions

- (1) Attach **ceiling plate** to ceiling **junction box** with junction box screws.
- (2) Feed the three **suspension cables** through the holes in the bottom of the **canopy** and into the cable grippers in the **ceiling plate**.
- (3) Continue feeding suspension cables through the cable grippers until the light is at the desired height and is level.
- (4) slide the red/black cable insulation along the excess powered cable until it abuts the tops of the cable grippers (ensure that no metal cable is touching the metal interior of the canopy/ceiling plate). Trim conductive cables to the appropriate length.
- (5) connect the red (+) conductive suspension cable to the red (+) output cable on the LED driver. connect the black (-) suspension cable to the black (-) driver output. Connect the driver input cables to the line voltage input.
- (6) Slide the canopy up the suspension cables to the ceiling and secure it using the three set screws.



AlexAllen Studio LLC  
T: +1 (917) 909-0405  
info@alexallenstudio.com  
www.alexallenstudio.com

## Dimmer Compatibility

### Lutron

DVCL-152P-WH  
DVCLV-303P  
HQRD-6A  
HQRD-6NA  
MRF2-6ELV-120-WH  
NTELV-600-WH  
NVELV-600-WH  
SELV-600-WH  
MRF2-6ELV-120-WH  
VTELV-600 XXX  
NTELV-300  
MAELV-600  
MSCELV-600M  
MIRELV-600  
MRF2-6ELV-120

### Crestron

CLS-C6  
CLS-C6M  
CLS-C6EX  
CLS-C6MEX  
CLS-C6MRF  
CLS-C6RF  
CLS-EXP-DIM  
CLS-EXP-DIMU  
CLX-1DIM4  
CLX-1DIM8  
CLX-2DIM2  
CLX-2DIM8  
CLX-1DELV4  
DIN-1DIM4  
DIN-1DIMU4

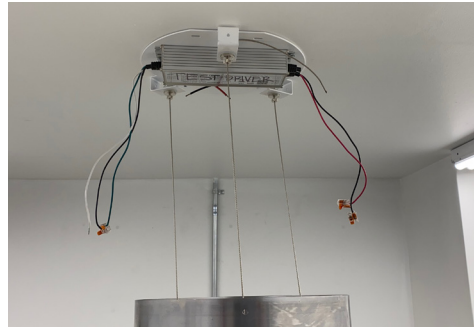
### Leviton

Model 6615  
Model 6672  
Model 6674/IPLO6  
Model IPE04  
Model IPI06  
Model VP106  
Model VPE04  
Model VPM06  
Model VRE04  
Model VRM10

CLW-DIMEX-E  
CLW-DIMEX-P  
CLW-DIMSWEX-E  
CLW-DIMSWEX-P  
P-DIMEX  
GLX-DIM6  
GLXX-2DIM8  
CLW-DELVEX-E  
CLW-DELVEX-P

### Skylark

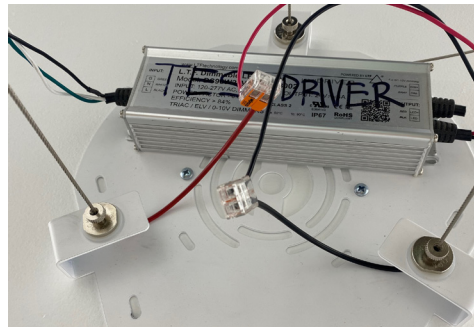
CTELV-303P  
SELV-300P



Pass suspension cables through grommets in canopy and lock into cable grippers in ceiling plates.

Raise the light by pulling cables through the cable grippers

Ensure that the light is hanging level and at the correct height.



Ensure powered suspension cables are fully insulated inside the canopy.



Slide the canopy up to meet the ceiling plate.



Fasten the Canopy in place with provided button head screws.