



AlexAllen Studio LLC
302 3rd Avenue
Brooklyn, NY 11215
+1 (917) 909-0405

www.alexallenstudio.com

2x4 Leather (4ft)



Fixture in Black Leather, Blackened Steel Hardware



Canopy (Feed Side)



Canopy (Non Feed Side)

PRODUCT INFORMATION

Year of Design:
2018

Country of Manufacture:
Brooklyn, NY, USA

Materials:
Sustainably Harvested Eastern White Pine,
Leather, Steel, Brass, Aluminum, and Acrylic

Certifications:
Dry / Damp Location
UL Listed (US and Canada)
CE Listed (EU)

Warranty:
5 years

Fixture Weight:
5 lbs / 2.25 kg

Shipping Size and Weight:
60" L x 10" W x 10" H
152 cm x 25 cm x 25 cm
10 lbs / 4.5 kg

SPECIFICATIONS

LED:
Flexible LED Module (>60,000 Hour Lifespan)
Universal Voltage 120V-277V, 50Hz/60Hz

Dimming Options:
TRIAC/ELV or 0-10V*
*See compatible dimmer guide

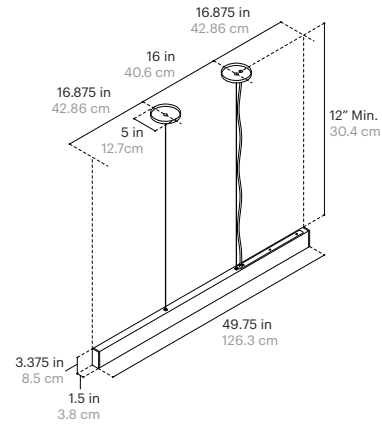
Standard Brightness:
1600 Lumens (3000K), 94 CRI, 15W
(IES files available upon request)

High Brightness:
2284 Lumens (3000K), 94 CRI, 20W
(IES files available upon request)

LED Temperatures (K):
2200, 2500, 2700, 3000, 3500, 4000, 5000

Cord Length:
120" / 304.8 cm, Field Adjustable

Minimum Drop Length:
12" / 30.48 cm



FINISH OPTIONS

Endcap and Canopy Finishes:
Brushed Nickel, Polished Nickel, Brushed Brass, Polished Brass, Mottled Brass, Bronze, Blackened Steel, Gunmetal



Leather Finishes:
Cobalt, Dark Brown, Black, Cognac



Cord Colors:
Black, Brown, Houndstooth



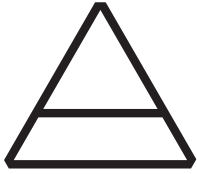
SPECIFICATION CODE

Fixture	Size	LED Temp	Brightness	Dimming
2X4L	048			
		22 - 2200K	SB - Standard Brightness	TE - TRIAC / ELV
		25 - 2500K	HB - High Brightness	O10 - 0-10V
		27 - 2700K		
		30 - 3000K		
		35 - 3500K		
		40 - 4000K		
		50 - 5000K		

FINISH CODE

Endcap and Canopy Finishes		Leather Finish	Cord Color
BN - Brushed Nickel	BR - Bronze	CO - Cobalt	BK - Black
PN - Polished Nickel	BS - Blackened Steel	DB - Dark Brown	BR - Brown
BB - Brushed Brass	GM - Gunmetal	BK - Black	HT - Houndstooth
PB - Polished Brass		CG - Cognac	
MB - Mottled Brass			





**AlexAllen
Studio**

AlexAllen Studio LLC
302 3rd Avenue
Brooklyn, NY 11215

+1 (917) 909-0405

www.alexallenstudio.com

2x4 Leather (6ft)



Fixture in Cognac Leather, Mottled Brass Hardware



Canopy (Feed Side)



Canopy (Non Feed Side)

PRODUCT INFORMATION

Year of Design:

2018

Country of Manufacture:

Brooklyn, NY, USA

Materials:

Sustainably Harvested Eastern White Pine,
Leather, Steel, Brass, Aluminum, and Acrylic

Certifications:

Dry / Damp Location
UL Listed (US and Canada)
CE Listed (EU)

Warranty:

5 years

Fixture Weight:

7.5 lbs / 3.4 kg

Shipping Size and Weight:

80"L x 10"W x 10" H
203 cm x 25 cm x 25 cm
15 lbs / 6.8 kg

SPECIFICATIONS

LED:

Flexible LED Module (>60,000 Hour Lifespan)
Universal Voltage 120V-277V, 50Hz/60Hz

Dimming Options:

TRIAC/ELV or 0-10V*
*See compatible dimmer guide

Standard Brightness:

2358 Lumens (3000K), 94 CRI, 22W
(IES files available upon request)

High Brightness:

3365 Lumens (3000K), 94 CRI, 30W
(IES files available upon request)

LED Temperatures (K):

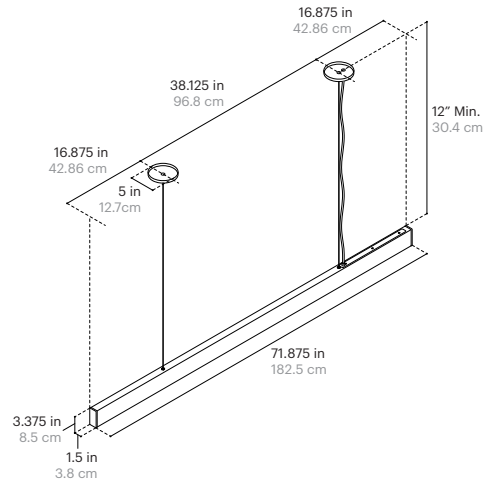
2200, 2500, 2700, 3000, 3500, 4000, 5000

Cord Length:

120" / 304.8 cm, Field Adjustable

Minimum Drop Length:

12" / 30.48 cm



FINISH OPTIONS

Endcap and Canopy Finishes:

Brushed Nickel, Polished Nickel, Brushed Brass, Polished Brass, Mottled Brass, Bronze, Blackened Steel, Gunmetal



Leather Finishes:

Cobalt, Dark Brown, Black, Cognac



Cord Colors:

Black, Brown, Houndstooth



SPECIFICATION CODE

Fixture	Size	LED Temp	Brightness	Dimming
2X4L	072			
		22 - 2200K	SB - Standard Brightness	TE - TRIAC / ELV
		25 - 2500K	HB - High Brightness	O10 - 0-10V
		27 - 2700K		
		30 - 3000K		
		35 - 3500K		
		40 - 4000K		
		50 - 5000K		

FINISH CODE

Endcap and Canopy Finishes		Leather Finish	Cord Color
BN - Brushed Nickel	BR - Bronze	CO - Cobalt	BK - Black
PN - Polished Nickel	BS - Blackened Steel	DB - Dark Brown	BR - Brown
BB - Brushed Brass	GM - Gunmetal	BK - Black	HT - Houndstooth
PB - Polished Brass		CG - Cognac	
MB - Mottled Brass			

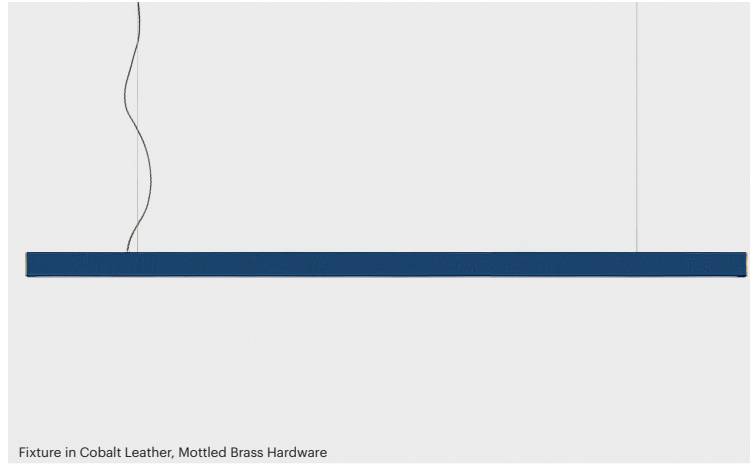




AlexAllen Studio LLC
302 3rd Avenue
Brooklyn, NY 11215
+1 (917) 909-0405

www.alexallenstudio.com

2x4 Leather (8ft)



Fixture in Cobalt Leather, Mottled Brass Hardware



Canopy (Feed Side)



Canopy (Non Feed Side)

PRODUCT INFORMATION

Year of Design:
2018

Country of Manufacture:
Brooklyn, NY, USA

Materials:
Sustainably Harvested Eastern White Pine, Leather, Steel, Brass, Aluminum, and Acrylic

Certifications:
Dry / Damp Location
UL Listed (US and Canada)
CE Listed (EU)

Warranty:
5 years

Fixture Weight:
10 lbs / 4.5 kg

Shipping Size and Weight:
104"L x 10"W x 10" H
264 cm x 25 cm x 25 cm
20 lbs / 9.1 kg

SPECIFICATIONS

LED:
Flexible LED Module (>60,000 Hour Lifespan)
Universal Voltage 120V-277V, 50Hz/60Hz

Dimming Options:
TRIAC/ELV or 0-10V*
*See compatible dimmer guide

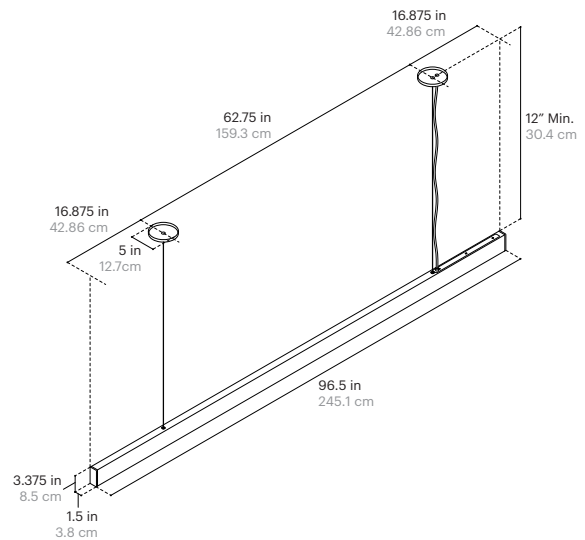
Standard Brightness:
3200 Lumens (3000K), 94 CRI, 30W
(IES files available upon request)

High Brightness:
4568 Lumens (3000K), 94 CRI, 42W
(IES files available upon request)

LED Temperatures (K):
2200, 2500, 2700, 3000, 3500, 4000, 5000

Cord Length:
120" / 304.8 cm, Field Adjustable

Minimum Drop Length:
12" / 30.48 cm



FINISH OPTIONS

Endcap and Canopy Finishes:
Brushed Nickel, Polished Nickel, Brushed Brass, Polished Brass, Mottled Brass, Bronze, Blackened Steel, Gunmetal



Leather Finishes:
Cobalt, Dark Brown, Black, Cognac



Cord Colors:
Black, Brown, Houndstooth



SPECIFICATION CODE

Fixture	Size	LED Temp	Brightness	Dimming
2X4L	096			
		22 - 2200K	SB - Standard Brightness	TE - TRIAC / ELV
		25 - 2500K	HB - High Brightness*	O10 - 0-10V
		27 - 2700K		
		30 - 3000K	*Remote Driver in J-Box	
		35 - 3500K		
		40 - 4000K		
		50 - 5000K		

FINISH CODE

Endcap and Canopy Finishes		Leather Finish	Cord Color
BN - Brushed Nickel	BR - Bronze	CO - Cobalt	BK - Black
PN - Polished Nickel	BS - Blackened Steel	DB - Dark Brown	BR - Brown
BB - Brushed Brass	GM - Gunmetal	BK - Black	HT - Houndstooth
PB - Polished Brass		CG - Cognac	
MB - Mottled Brass			

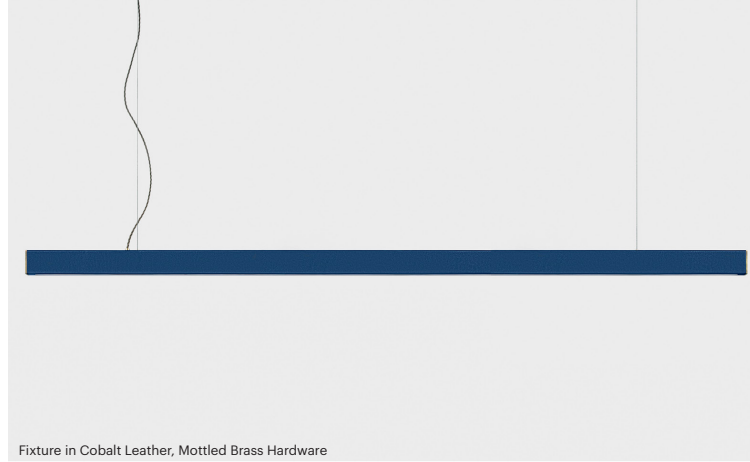




AlexAllen Studio LLC
302 3rd Avenue
Brooklyn, NY 11215
+1 (917) 909-0405

www.alexallenstudio.com

2x4 Leather (10ft)



Fixture in Cobalt Leather, Mottled Brass Hardware



Canopy (Feed Side)



Canopy (Non Feed Side)

PRODUCT INFORMATION

Year of Design:
2018

Country of Manufacture:
Brooklyn, NY, USA

Materials:
Sustainably Harvested Eastern White Pine, Leather, Steel, Brass, Aluminum, and Acrylic

Certifications:
Dry / Damp Location
UL Listed (US and Canada)
CE Listed (EU)

Warranty: 5 years

Fixture Weight:
12.5 lbs / 5.7 kg

Shipping Size and Weight:
125"L x 10"W x 10" H
318 cm x 25 cm x 25 cm
22.5 lbs / 10.2 kg
(Ships LTL Freight)

SPECIFICATIONS

LED:
Flexible LED Module (>60,000 Hour Lifespan)
Universal Voltage 120V-277V, 50Hz/60Hz

Dimming Options:
TRIAC/ELV or 0-10V*
*See compatible dimmer guide

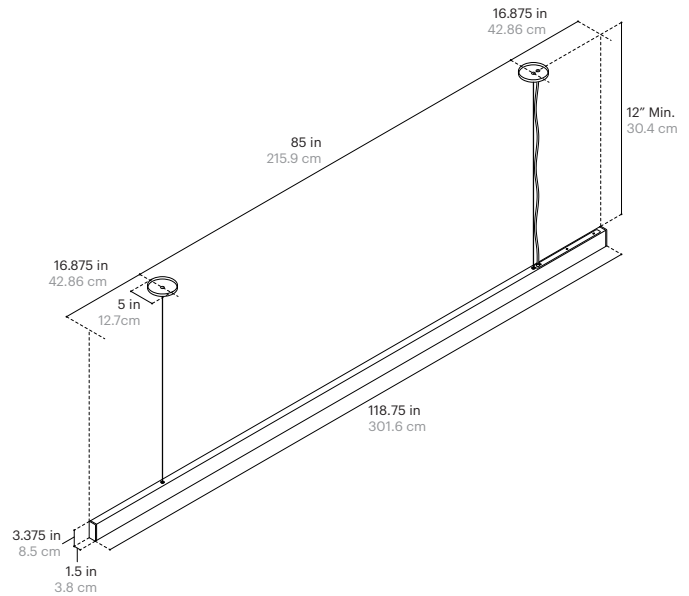
Standard Brightness:
3958 Lumens (3000K), 94 CRI, 38W
(IES files available upon request)

High Brightness:
5650 Lumens (3000K), 94 CRI, 52W
(IES files available upon request)

LED Temperatures (K):
2200, 2500, 2700, 3000, 3500, 4000, 5000

Cord Length:
120" / 304.8 cm, Field Adjustable

Minimum Drop Length:
12" / 30.48 cm



FINISH OPTIONS

Endcap and Canopy Finishes:
Brushed Nickel, Polished Nickel, Brushed Brass, Polished Brass, Mottled Brass, Bronze, Blackened Steel, Gunmetal



Leather Finishes:
Cobalt, Dark Brown, Black, Cognac



Cord Colors:
Black, Brown, Houndstooth



SPECIFICATION CODE

Fixture	Size	LED Temp	Brightness	Dimming
2X4L	120			
		22 - 2200K	SB - Standard Brightness	TE - TRIAC / ELV
		25 - 2500K	HB - High Brightness*	O10 - 0-10V
		27 - 2700K		
		30 - 3000K	*Remote Driver in J-Box	
		35 - 3500K		
		40 - 4000K		
		50 - 5000K		

FINISH CODE

Endcap and Canopy Finishes		Leather Finish	Cord Color
BN - Brushed Nickel	BR - Bronze	CO - Cobalt	BK - Black
PN - Polished Nickel	BS - Blackened Steel	DB - Dark Brown	BR - Brown
BB - Brushed Brass	GM - Gunmetal	BK - Black	HT - Houndstooth
PB - Polished Brass		CG - Cognac	
MB - Mottled Brass			

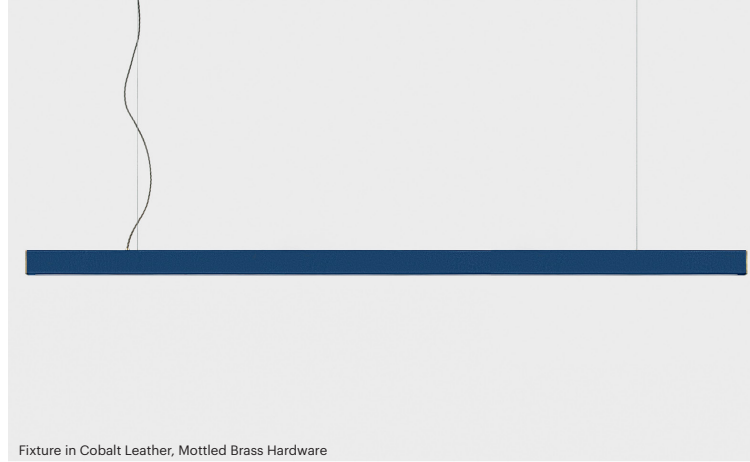




AlexAllen Studio LLC
302 3rd Avenue
Brooklyn, NY 11215
+1 (917) 909-0405

www.alexallenstudio.com

2x4 Leather (12ft)



Fixture in Cobalt Leather, Mottled Brass Hardware



Canopy (Feed Side)



Canopy (Non Feed Side)

PRODUCT INFORMATION

Year of Design:
2018

Country of Manufacture:
Brooklyn, NY, USA

Materials:
Sustainably Harvested Eastern White Pine,
Leather, Steel, Brass, Aluminum, and Acrylic

Certifications:
Dry / Damp Location
UL Listed (US and Canada)
CE Listed (EU)

Warranty: 5 years

Fixture Weight:
15 lbs / 6.8 kg

Shipping Size and Weight:
150"L x 10"W x 10" H
381 cm x 25 cm x 25 cm
25 lbs / 11.3 kg
(Ships LTL Freight)

SPECIFICATIONS

LED:
Flexible LED Module (>60,000 Hour Lifespan)
Universal Voltage 120V-277V, 50Hz/60Hz

Dimming Options:
TRIAC/ELV or 0-10V*
*See compatible dimmer guide

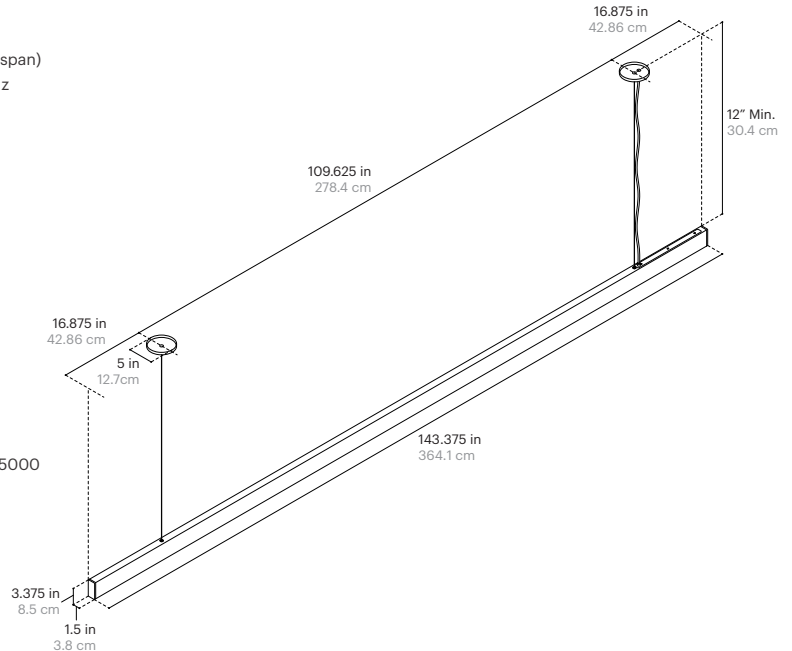
Standard Brightness:
4800 Lumens (3000K), 95 CRI, 40W
(IES files available upon request)

High Brightness:
6850 Lumens (3000K), 94 CRI, 62W
(IES files available upon request)

LED Temperatures (K):
2200, 2500, 2700, 3000, 3500, 4000, 5000

Cord Length:
120" / 304.8 cm, Field Adjustable

Minimum Drop Length:
12" / 30.48 cm



FINISH OPTIONS

Endcap and Canopy Finishes:
Brushed Nickel, Polished Nickel, Brushed Brass, Polished Brass, Mottled Brass, Bronze, Blackened Steel, Gunmetal



Leather Finishes:
Cobalt, Dark Brown, Black, Cognac



Cord Colors:
Black, Brown, Houndstooth



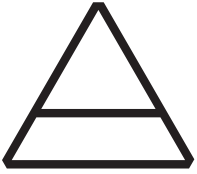
SPECIFICATION CODE

Fixture	Size	LED Temp	Brightness	Dimming
2X4L	144			
		22 - 2200K	SB - Standard Brightness	TE - TRIAC / ELV
		25 - 2500K	HB - High Brightness*	O10 - 0-10V
		27 - 2700K		
		30 - 3000K	*Remote Driver in J-Box	
		35 - 3500K		
		40 - 4000K		
		50 - 5000K		

FINISH CODE

Endcap and Canopy Finishes		Leather Finish	Cord Color
BN - Brushed Nickel	BR - Bronze	CO - Cobalt	BK - Black
PN - Polished Nickel	BS - Blackened Steel	DB - Dark Brown	BR - Brown
BB - Brushed Brass	GM - Gunmetal	BK - Black	HT - Houndstooth
PB - Polished Brass		CG - Cognac	
MB - Mottled Brass			





AlexAllen Studio

AlexAllen Studio LLC
302 3rd Avenue
Brooklyn, NY 11215

+1 (917) 909-0405

www.alexallenstudio.com

DIMMER COMPATABILITY (L.T.F Dimmable LED Drivers)

LUTRON:

CASETA WIRELESS PD-6WCL
DIVA CL DVCL-153P-WH
DIVA ELV DVELV-303P
DIVA 0-10V DVSTV
DIVA 0-10V DVTV
HOME WORKS HQRD-6A
HOME WORKS HQRD-6NA
MRF2-6ELV-120-WH
MAESTRO MRF2-6ELV-120-WH
MAESTRO RF RRA-6D
MAESTRO RF RRA-6NA
MAESTRO RF RRA-6ND
MAESTRO MAELV-600
MAESTRO MSCELV-600M
MAESTRO CL MAELV-153MH
MAESTRO IR MIRELV-600
MAESTRO WIRELESS MRF2-6ELV-120
NOVA T NTELV-600-WH
NOVA NVELV-600-WH
NOVA T NTELV-300
SKYLARK SELV-600-WH
SKYLARK CONTOUR CTELV-303P
VIERTI VTELV-600-XXX

CRESTRON:

CLW-DIMSWEX-P
P-DIMEX
GLX-DIM6
GLXX-2DIM8
CLW-DELVEX-E
CLW-DELVEX-P
CLX-2DIMFLV8
DIN-4DIMFLV4
CLS-EXP-DIMFLV
GLX-DIMFLV8
SELV-300P
CLS-C6
CLS-C6M
CLS-C6EX
CLS-C6MEX
CLS-C6MRF
CLS-C6RF
CLS-EXP-DIM
CLS-EXP-DIMU
CLX-1DIM4
CLX-1DIM8
CLX-2DIM2
CLX-2DIM8

(CONTINUED)

CLX-1DELV4
DIN-1DIM4
DIN-1DIMU4
CLW-DIMEX-E
CLW-DIMEX-P
CLW-DIMSWEX-E

LEVITON:

6615
6672
6674/IPL06
IPE04
IPI06
VP106
VPE04
VPM06
VRE04
VRM10
IP710
DS710
DD710

FEIT

BPMIMSMART/2